

## Rockers, Shakers & Mixers

### Platform Rocker (Gel Rocker)

**Description:** Gel Rocker can be used for many applications like gel staining, culture aeration, bathing, blotting membranes etc. A metal platform with non-slip rubber mat moves in a gentle 'See Saw' motion. The movement is controlled precisely with a DC motor. Cushion and rubber feet prevent unit from 'slipping'.

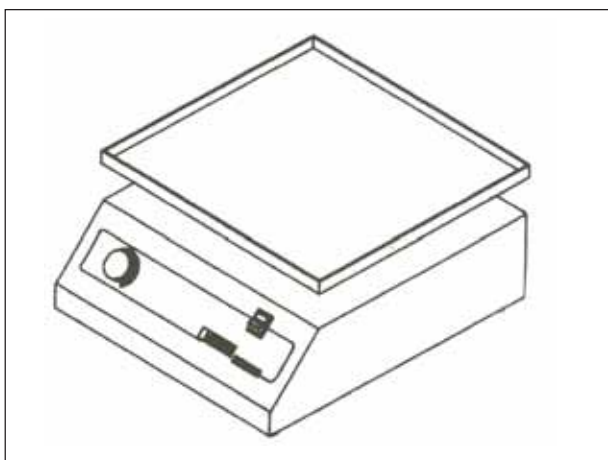
0-60 minute timer is available. Unit switches off automatically after the lapse of set time.

**Technical Information:**

**Parameter**

Platform Size	29 cms x 29 cms (l x b)
Platform covering	Rubber mat
Speed	<b>For 107106:</b> Up to 20 oscillations per minute, adjustable <b>For 107107:</b> Up to 40 oscillations per minute, adjustable
Shaking type	See-saw
Input voltage	230 volts ± 10%, 50 Hz, single phase
Timer	0-60 mins, electronic in 107107

Gel Rocker



### New Dual Rocker

**Description:** Bangalore Genei supplies different type of gel rockers with timer, without timer and dual platform with timer. Dual platform rocker can take two gels at a time with a maximum load of 4kgs. Each platform can take maximum load of 2 kgs that fulfils all the requirements for gel staining. It is manufactured using heavy gauge MS with powder coated body. digital timer (upto 99mins) is provided for time related applications.

**Technical Information:**

Platform size	280mmX280mm
Speed	40 Oscillations/min
Movement	Seesaw
No. of trays	Two
Timer	Digital
Input voltage	230V, 50Hz, A.C.
Weight	6kgs.approx.