

Electrophoresis Equipments

Electrophoresis Systems & Accessories

Submarine Electrophoresis Systems

"Submarine" electrophoresis in agarose gels is the most efficient way to separate DNA fragments. In this technique, the entire gel is submerged in the buffer. Bangalore Genei offers following different models **Mini sub system, Midi sub system, Midi sub prep system, Maxi sub system, Maxi sub XL system & Maxi sub XXL system.**

Mini Sub System (Cat # 106470)

Description: Basic unit (1 No.), platinum electrode assembly removable (2 Nos.), lid (1 No.), Gel running tray 100 x 70 mm (1 No.), 50 x 70 mm (2 Nos.), 8 well comb 1.5 mm (2 Nos.), 3 well preparative comb 3.0 mm (1 No.), gel casting tray, connecting cord (2 Nos.) and instruction manual.

Midi Sub System (Cat # 106508)

Description: Basic unit (1 No.), platinum electrode assembly removable (2 Nos.), lid (1 No.), connecting cord (2 Nos.), Gel running tray 130 x 130 mm (1 No.), Gel platform 130 x 65 mm (2 Nos.), Gel running tray 65 x 60 mm (4 Nos.), 13 well comb 1.5 mm (1 No.), 8 well comb 1.5 mm (4 Nos.), 3 well preparative comb 3.0 mm (1 No.) and instruction manual. Recommended power supply **GeNei™** Programmable PS 500/500 V / 500 mA (Cat# 106857)

Midi Sub Prep System (Cat # 106562)

Description: Basic unit (1 No.), platinum electrode assembly removable (2 Nos.), lid (1 No.) connecting cord (2 Nos.), Gel running tray 250 x 130 mm (1 No.), 13 well comb 1.5 mm (1 No.), 3 well preparative comb 3.0 mm (1 No.), 3 well preparative comb 6.0 mm (1 No.), gel casting tray 250 x 130 mm (1 No.) and instruction manual.

Maxi Sub System (Cat # 106589)

Basic unit (1 No.), Platinum Electrodes (2 Nos.), Gel running tray 200 x 200 mm (1 No.), 26-Well Comb 1.5 mm (1 No.), 3-Well preparative comb 3.0 mm (1 No.), 3-Well preparative comb 6.0 mm (1 No.), Lid (1 No.) Connecting cord (1 No.).

Maxi Sub XL System (Cat # 106614)

Basic Unit (1 No.), Lid (1 No.), Platinum Electrodes (2 Nos.), Gel running tray 300 x 250 (1 No.), 33-Well Acrylic Comb 2 mm (3 Nos.), (Comb with Multi Channel Pipettor Loading), Connecting Cord (1 No.) and instruction manual.

Maxi Sub XXL System (Cat # 106627)

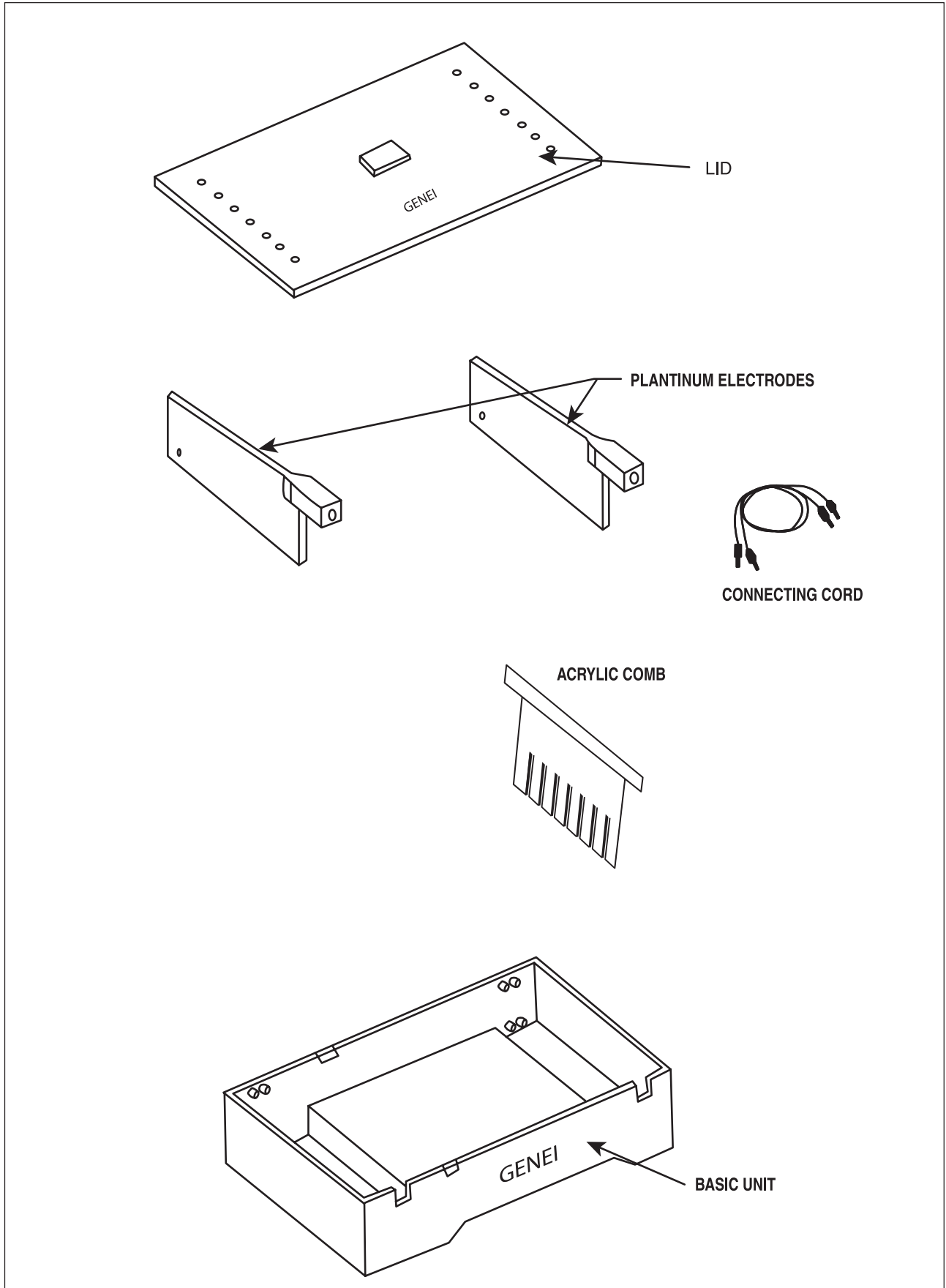
Basic Unit (1 No.), Lid (1 No.), Platinum Electrodes (2 Nos.), Gel running tray 200 x 300 mm (1 No.), Levelling table with Gel casting tray (1 No.), 3 well 3 mm (1 No.), 5, 8, 16, 20 well Acrylic comb 2 mm (1 No. each), 40 well Acrylic comb 2 mm (3 Nos.), (Comb with Multi Channel Pipettor Loading), Connecting Cord (1 No.) and instruction manual.

UV - Transparent Gel Platform

UV Transparent gel platforms are now available for submarine electrophoresis systems. Please select the suitable size of the gel platform for small (Cat # 106470), analytical (Cat# 106508), preparative (Cat# 106562) or large model (Cat# 106589).

Accessories: Please refer to the ordering information

Submarine Electrophoresis System



T
E
C
H
W
A
R
E

E
Q
U
I
P
M
E
N
T

Ordering Information:

Catalogue Number	Product	Pack Size	Price (Rs.)
SUBMARINE ELECTROPHORESIS SYSTEMS			
106470	Mini Sub System: Small model gel size 10 x 7 cm (for 8 samples)	1 Unit	6100
ACCESSORIES for Mini Sub Systems			
106505	Cooling Unit for Cat# 106470	1 Unit	2200
106506	Gel Scoop for 10 x 7 cm Gels	1 Unit	650
106507	Gel Scoop for 10 x 7 cm Gels - UV Transparent	1 Unit	3300
107040	Spare electrodes 2 nos. for Cat# 106470	1 Set	2800
106474	Levelling table for gel casting 15 x 15 cm	1 No.	1750
106475	Developing chamber light proof small	1 Unit	900
106476	Gel running tray 70 x 50 mm (2 / pack)	1 Pack	850
106503	Gel casting tray for 70 x 50 mm	1 No.	950
106477	UV transparent gel running tray 70 x 50 mm	1 Pack	1750
106478	Gel running tray 100 x 70 mm	1 No.	850
106504	Gel casting tray for 100 x 70 mm	1 No.	900
106479	UV transparent gel running tray 100 x 70 mm	1 No.	2850
106500	Comb stand	1 No.	700
106501	Acrylic comb MINI 8 well 1.5 mm	1 No.	650
106502	Acrylic comb MINI 3 well preparative 3.0 mm	1 No.	650
106508	Midi Sub System: Analytical model gel size 13 x 13 cm (for 13 samples)	1 Unit	9800
ACCESSORIES for Midi Sub Systems			
106560	Gel Scoop for 13 x 13 cm Gels	1 Unit	1000
106561	Gel Scoop for 13 x 13 cm Gels - UV Transparent	1 Unit	6600
107041	Spare Electrodes 2 nos. for Cat# 106508	1 Set	4400
106522	Developing chamber light proof ANALYTICAL	1 Unit	1000
106523	Gel running tray 60 x 65 mm (4/pack)	1 Pack	1000
106552	Gel casting tray for 60 x 65 mm	1 No.	1250
106524	UV - transparent gel running tray 60 x 65 mm	1 Pack	1800
106525	Gel running tray 130 x 60 mm (2/pack)	1 Pack	1000
106555	Gel casting tray for 130 x 60 mm	1 No.	1300
106526	UV transparent gel running tray 130 x 60 mm	1 Pack	3500
106527	Gel running tray 130 x 130 mm	1 No.	1000
106556	Gel casting tray for 130 x 130 mm	1 No.	1200

Ordering Information:

Catalogue Number	Product	Pack Size	Price (Rs.)
SUBMARINE ELECTROPHORESIS SYSTEM (Contd.)			
ACCESSORIES for Midi Sub Systems (Contd.)			
106528	UV transparent gel running tray (130 mm x 130 mm)	1 No.	6550
106529	Acrylic comb MINI 8 well 1.5 mm	1 No.	650
106539	Acrylic comb ANALYTICAL 13 well 1.5 mm	1 No.	700
106550	Acrylic comb PREPARATIVE 3 well 3.0 mm	1 No.	700
106551	Acrylic comb PREPARATIVE 3 well 6.0 mm	1 No.	700
106500	Comb stand	1 No.	700
106557	Cooling Unit for Cat# 106508	1 Unit	2400
106562	Midi Sub Prep System: Preparative model gel size 13 cm x 25 cm (for 13 samples)	1 Unit	9800
ACCESSORIES for Midi Prep Sub Systems			
107042	Spare Electrodes 2 nos	1 Set	4350
106567	Gel developing chamber light proof PREPARATIVE	1 Unit	1250
106568	Gel running tray (250 mm x 130 mm)	1 No.	1100
106588	Gel casting tray for 250 mm x 130 mm	1 No.	1250
106569	UV transparent gel running tray (250 mm x 130 mm)	1 No.	10900
106585	Acrylic comb PREPARATIVE 3 well 3.0 mm	1 No.	700
106586	Acrylic comb PREPARATIVE 3 well 6.0 mm	1 No.	800
106539	Acrylic 13-well comb 1.5 mm	1 No.	700
106500	Comb stand	1 No.	700
106587	Levelling table with sprit level (20 cm x 27 cm)	1 No.	1950
106994	Connecting cord (2 / Pack)	1 Pack	550
106995	Adapter set (2 mm/ 4 mm) to be used with Imported power packs	1 Set	1100

Ordering Information:

Catalogue Number	Product	Pack Size	Price (Rs.)
SUBMARINE ELECTROPHORESIS SYSTEM (Contd.)			
106589	Maxi Sub System: Large model gel size 20 cm x 20 cm (for 26 samples)	1 Unit	12750
ACCESSORIES for Maxi Sub Systems			
107043	Spare Electrodes 2 nos for Cat# 106589	1 Set	5900
106594	Developing chamber light proof - LARGE	1 No.	1550
106595	Gel running tray (200 mm x 200 mm)	1 No.	1300
106611	Gel casting tray for 200 mm x 200 mm	1 No.	1500
106596	UV transparent gel running tray (200 mm x 200 mm)	1 No.	12000
106597	26-Well acrylic comb 1.50 mm (In Built)	1 No.	1400
106598	3-Well comb preparative 3.00 mm (In Built)	1 No.	1200
106599	3-Well comb preparative 6.00 mm (In Built)	1 No.	1300
106610	Comb stand for Cat# 106589	1 No.	1050
106612	Levelling table with spirit level (25 cm x 25 cm)	1 No.	2150
106614	Maxi Sub XL System: Extra large model (Custom built) Gel Size 30 cm x 25 cm (for 33 x 3 = 99 samples) with inbuilt comb stand Multi Channel Pipette Compatible	1 Unit	17300
ACCESSORIES for Maxi XL Sub Systems			
107044	Spare electrodes 2 nos	1 Set	8750
106616	Developing chamber light proof - LARGE	1 No.	2550
106617	Gel running tray (300 mm x 250 mm) with combs	1 Set.	6150
106618	UV transparent gel running tray (300 mm x 250 mm)	1 No.	12650
106619	33-Well acrylic comb (2 mm)	1 No.	1750
106620	Levelling table with spirit level (320 mm x 300 mm)	1 No.	2550
106627	Maxi Sub XXL System: Very Large Model (for 40 x 3 = 120 samples) Gel Size 20 cm x 37 cm with inbuilt comb stand Multi Channel Pipette Compatible combs 3, 5, 8, 16, 20, 40 x 3 wells	1 Unit	20350
106628	Acrylic combs 3, 5, 8, 16, 20 (1 No. each), 40 well comb x 3 Nos.	1 Pack	7850

TECHWARE EQUIPMENT

UV T Submarine Electrophoresis System

UV T electrophoresis systems with UV transparent gel tray offers easy gel viewing.

- Durable submarine unit suitable for any molecular biology lab
- Run 7x10, 13x13, 13x25 and 20x20 cm gels
- Combs allow 3, 10, 15 and 26 samples per run
- Mini Sub System UV T (Cat # 106471): Includes UV transparent basic unit with fixed platinum electrodes and lid (1 No.), 10 well comb 1.5 mm; 3 well comb, 3 mm and connecting cord.
- Midi Sub System UV T (Cat # 106509): Includes UV transparent basic unit with fixed platinum electrodes and lid (1 No.), 15 well comb 1.5 mm; 3 well comb, 3 mm and connecting cord.
- Midi Prep Sub System UV T (Cat # 106563): Includes UV transparent basic unit with fixed platinum electrodes and lid (1 No.), 15 well comb 1.5 mm; 3 well comb, 3 mm ;3 well comb 6.0 mm and connecting cord.
- Maxi Sub System UV T (Cat # 106590): Includes UV transparent basic unit with fixed platinum electrodes and lid (1 No.), 26 well comb, 1.5 mm; 3 well comb, 3 mm ; 3 well comb 6.0 mm and connecting cord.

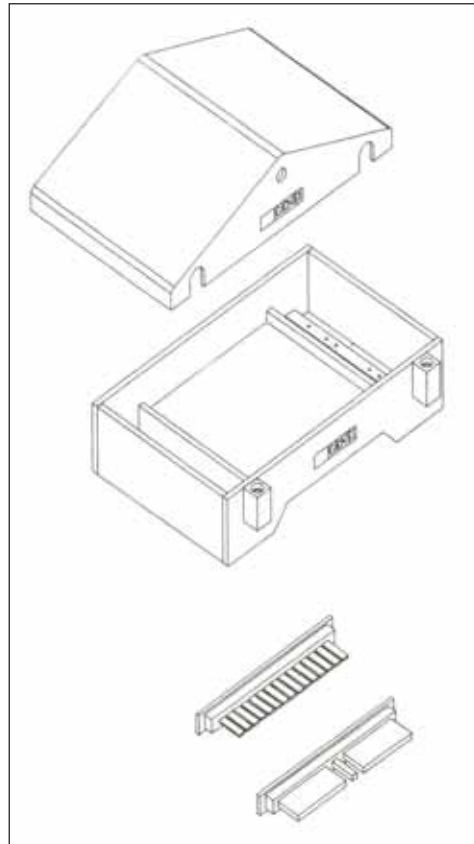
Submarine Electrophoresis System (Imported)

Description: "Submarine" electrophoresis in agarose gels is the most efficient way to separate DNA fragments. In this technique, the entire gel is submerged in the buffer. Bangalore Genei offers complete system with moduled basic unit and electrode. Connecting cord and lid can be removed easily while loading the sample. As basic tank is an moulded unit there is no chances of buffers leakage from the tank. Gel Electrophoresis System, accompanies with 10X7cm tray, one 15X1.0mm teeth and one 20X1.0mm teeth fixed height combs.

Optional Accessories:

- UV-Transparent tray 10X7cm, for GES Cell.

UV T Submarine Electrophoresis System



Paper Electrophoresis System

Description: Basic unit consists of anode and cathode buffer reservoirs capable of accommodating suitable electrode assembly. In case of Vertical model, paper supporting vertical stands with cross rods are provided in between reservoirs, whereas, a removable horizontal supporting stand has been provided in horizontal model. In both the cases transparent acrylic cover are provided for controlling buffer evaporation and for electrical safety.

Vertical Mini for 3 strips: Basic unit with lid (1 Set) Platinum Electrodes (2 nos.), Paper Supporting Rods (3 nos), Connecting Cord (1 set).

Vertical Large for 6 strips: Vertical large is for 6 Strips 10 Micro slides. The system contains Basic unit with lid (1set), Platinum Electrodes (2 nos), Paper supporting rod (3 nos.) Connecting Cord (1 set).

Horizontal Model for 6 Strips: Basic unit with lid (1 set), Platinum Electrodes (2 nos), Paper supporting frame (1 no.), Clamping rods (2 nos.) and connecting cord (1 set).

Ordering Information:

Catalogue Number	Product	Pack Size	Price (Rs.)
UV TRANSPARENT SUBMARINE ELECTROPHORESIS SYSTEM			
106471	Mini Sub System UV Transparent: Small model gel size (10 x 7) cm for 10 samples	1 Unit	8550
106509	Midi Sub System UV Transparent: Analytical model gel size (13 x 13) cm 15 samples	1 Unit	14500
106563	Midi Prep Sub System UV Transparent: Preparative model gel size (25 x 13) cm 15 samples	1 Unit	15600
106590	Maxi Sub System UV Transparent: Large model gel size (20 x 20) cm 26 samples	1 Unit	22250
ACCESSORIES for Mini Sub System UV Transparent			
106472	Acrylic comb 10 well (1.5 mm)	1 No.	700
106473	Acrylic preparative comb 3 well (3.0 mm)	1 No.	700
ACCESSORIES for Midi Sub System UV Transparent			
106520	Acrylic comb 15 well (1.5 mm)	1 No.	850
106521	Acrylic preparative comb 3 well (3.0 mm)	1 No.	700
ACCESSORIES for Midi Prep Sub System UV Transparent			
106564	Acrylic comb 15 well (1.5 mm)	1 No.	900
106565	Acrylic preparative comb 3 Well (3 mm)	1 No.	700
106566	Acrylic preparative comb 3 well (6.0 mm)	1 No.	800
ACCESSORIES for Maxi Sub System UV Transparent			
106591	Acrylic comb 26 well (1.5 mm)	1 No.	1550
106592	Acrylic preparative comb 3 well (3.0 mm)	1 No.	1200
106593	Acrylic preparative comb 3 well (6.0 mm)	1 No.	1200
SUBMARINE ELECTROPHORESIS SYSTEM (IMPORTED)			
116668	Submarine Electrophoresis System (Imported) (size: 10 cm x 7 cm tray)	1 Unit.	39100
PAPER ELECTROPHORESIS SYSTEM			
116723	Paper Electrophoresis System (Vertical Mini for 3 strips)	1 Unit.	11250
116721	Paper Electrophoresis System (Vertical Large for 6 strips)	1 Unit.	16100
116720	Paper Electrophoresis System (Horizontal Model for 6 strips)	1 Unit.	14500

Miniphor & Maxiphor UVT Systems

UVT Submarine Gel electrophoresis systems used for agarose gel electrophoresis of nucleic acids.

The system is supplied with **UV transparent acrylic running tray**, thereby allowing direct viewing of nucleic acid bands over the UV transilluminator without removing the gel.

Miniphor UVT System (Cat # 106888)

Description: UV transparent gel tank - 1 No, lid with preinstalled electrodes - 1 No, Gel casting tray-1 No, UVT Gel running tray (100x70 mm) - 1 No, 8,12 & 16 well acrylic comb, 1.5 mm - 1 No each, Gel scoop 1 No, Connecting cords - 2 Nos.

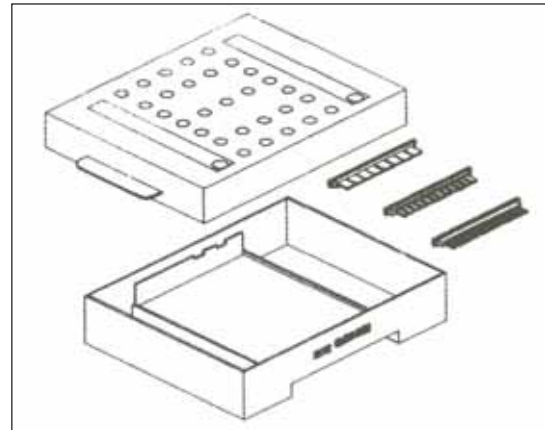
Recommended Power Supply: Genei PS-100 (12-01)

Maxiphor UVT System (Cat # 106901)

Description: UV transparent gel tank - 1 No, lid with preinstalled electrodes 1 No, Gel casting & UVT Gel running tray (150x130 mm) - 1 No, 8, 14 & 20 well acrylic comb 1.5 mm - 1 No each, Gel scoop 1 No, connecting cords - 2 No.

Recommended Power Supply: Genei PS-500 (Cat # 106857)

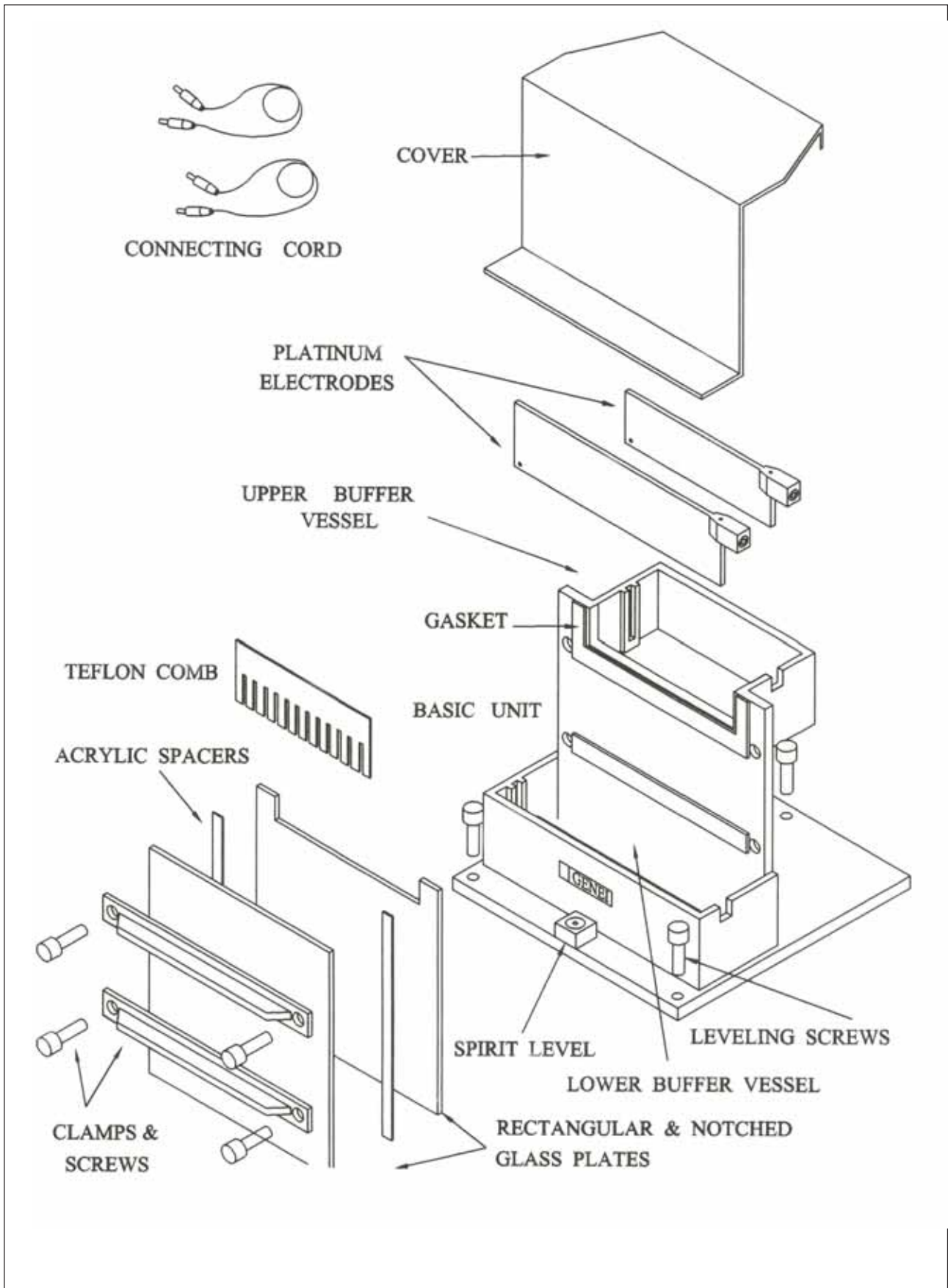
Miniphor UVT System



Ordering Information:

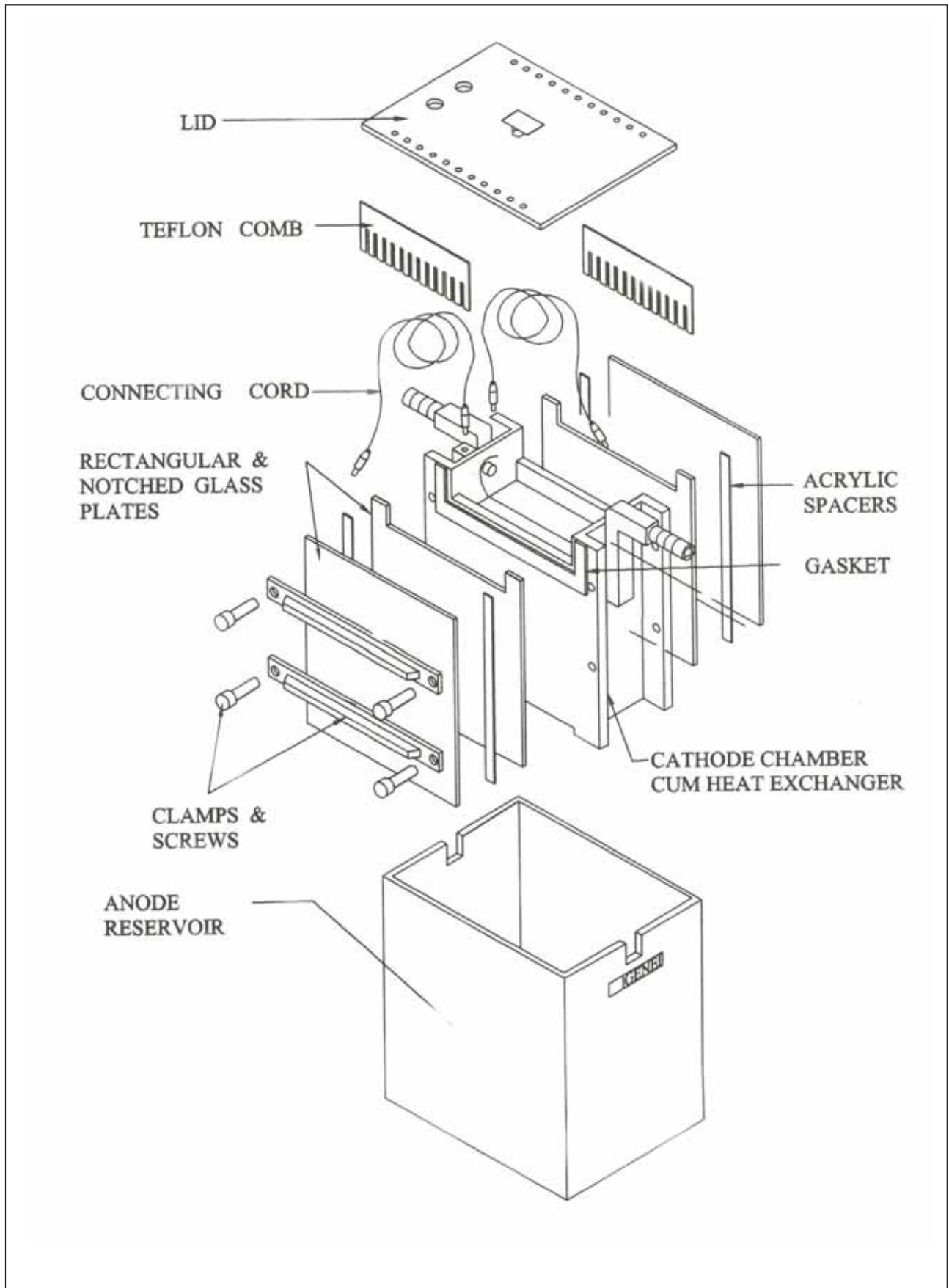
Catalogue Number	Product	Pack Size	Price (Rs.)
MINIPHOR & MAXIPHOR UVT SYSTEMS			
106888	Miniphor UVT System Complete Set with 8, 12, 16 well combs	1 Unit	9300
106889	Acrylic combs for Miniphor 8/12/16 & prep combs (4 Nos.)	1 Set	3150
106900	Cooling unit for Miniphor UVT System	1 no.	1900
106901	Maxiphor UVT System Complete Set with inbuilt Gel casting Tray, 8, 14, 20 well combs	1 Unit	15600
106902	Cooling unit for Maxiphor- Analytical UVT System	1 Unit	2200

Mini & Maxi Vertical Gel Electrophoresis System



TECHWARE EQUIPMENT

Dual Midi Vertical Gel Electrophoresis System



TECHWARE EQUIPMENT