

Techware Equipment

Product	Page No.
● Blotting Equipment	
Hybridisation oven	G1
Semi Dry blotter	G1
E-Blotter System	G2
Electro Transfer Systems	G2
UV Cross linker	G2
● Electrophoresis Equipment	
Electrophoresis Systems & Accessories	
Submarine Electrophoresis System	G4
Vertical Electrophoresis System	G14
Immunoelectrophoresis Systems	G17
Rod Gel Electrophoresis Systems	G19
Power Supplies	
Popular Digital Model	G20
Euro Model	G20
High Voltage Power Supply	G20
Fixed Voltage Power Supply	G20
Programmable Power Supply	G20
Programmable High Voltage Power Supply	G21
300/300 Power Supply	G21
Gel Drying equipment	
Gel Dryer	G26
Rotary Vane Vacuum Pump	G26
● Rockers, Shakers & mixers	
Platform Rocker	G27
Dual Rocker	G27
Orbital Shaker	G28
Incubator Orbital Shaker	G28
Universal Flask Holder for Incubator Shaker	G28
Micro Plate Shaker	G28
Tube Rotator	G29
Plate Rotator	G29
Magnetic Stirrer with hot plate	G29
Digital Hot Plate with Stirrer	G29
Over-head Stirrer	G30
Magnetic Stirrer	G30
Vortex Mixer	G30
Wrist Action Shaker	G30

Product	Page No.
● PCR Equipment & Sequencing	
DNA Sequencer	G32
Thermal Cycler	G32
96 well Thermal Cycler	G33
96 well Gradient Thermal Cycler	G34
PCR Workstation	G35
PCR Submarine Electrophoresis System with Power Supply	G35
● Gel Analysis Equipments	
GeNei™ Image System	G37
GeNei™ Xplorer Image Analysis System	G38
UV Transilluminator	G39
Handheld UV Lamp	G39
UV Face Shield	G39
White light Converter	G39
● Centrifuges	
Fixed Rotor Microcentrifuge	G40
14,000 rpm Centrifuge	G40
● General Lab Equipment	
Ligation Bath	G41
Dry Bath	G41
Water bath	G42
Oil Bath	G42
pH meter	G42
Magnetic Stand	G43
Bench Top Cooler	G43
● Pipettes & Pipette Stand	
Digital Variable Volume Pipette (autoclavable)	G44
Digital Variable Volume Pipette - Popular Model	G44
Pipette Stands	G44
● Plasticware	
PCR Tubes and PCR Rack	G46
Universal Fit Tips and racked Tips	G46
Microcentrifuge Tubes	G46
Micro Tube Racks	G46
Autoclavable Gloves	G47
● Others	
Bench Top Shields	G48
Bench Top Containers	G48
Bench Top Containers for Radio active Pipette Tips	G48
Glass Plate Stand	G48
Glass Columns for Chromatography	G48
Acrylic Gradient Makers	G48

Blotting Equipment

Hybridization Oven

Description: Hybridisation Oven is made out of Heavy Gauge MS with powder coated body. Temperature is maintained from above ambient to 60° C with an accuracy of ± 0.5° C with the help of powerful centrifugal blower. D.C. motor is used to get accuracy in speed and for low noise level. Speed can be controlled from 10 rpm to 60 rpm with an accuracy of 2 rpm. Front door is made out of glass with locking system.

Technical Specification:

Temperature Range	Above Amb to 60° C
Temperature Controller	Digital
Temperature Accuracy	± 0.5° C
rpm	0 to 60 rpm
RPM Indicator	Analogue
Construction	Aluminium with powder coated
Capacity	44 Lts
Motor	D.C. Motor
Input Voltage	230 V A.C.

Semi Dry Blotter

(Size: 8 cm x 10 cm)

Electrophoresis separates Proteins and Nucleic Acids in gels into different components. They are transferred onto membranes for further analysis. The method which transfers macromolecules from gels onto membrane by using electrical force is known as Electro blotting. Electroblotting carried out in semi-dry conditions is known as semi Dry blotter.

Description: Semi Dry Blotter consists of a bottom anode unit and a top cathode unit. The graphite electrode is mounted on the top of the bottom unit. The top cathode unit is also fixed with a graphite electrode and sits on the anode. Gel along with membrane and wet filter papers are placed in between the two units. On passing electric current macromolecules present in the gel move towards anode and stick on to the membrane. This is then analysed by various techniques to detect proteins/ nucleic acids.

Semi Dry Blotter contains Basic Unit, Graphite Electrode Assembly (2 Nos), Non Conducting Sheets(1 No), Connecting cord 1 set.

Optional Accessories:

- Graphite Electrode assembly
- Non Conducting Sheets
- Connecting Cords.

E-Blotter System

Description: E-Blotter system is an ideal system for effective electro-transfer applications. It includes E-Blotter buffer tank, E-Blotter module, instruction manual.

Technical Specification:

- E-Blotter buffer tank dimension : 20 x 13 x 16.5 (cm) (L x W x H)
- E-Blotter module dimension : 22 x 6.8 x 11 (cm) (L x W x H)
- E-Blotter transfer gel size : 11 x 7.5 (cm) (W x H)

New UV Cross Linker

Description: UV Cross linkers are used to bind nucleic acids to membrane using ultra violet energy. The correct ultra violet dosage can be set using the membrane switch key pad, in either energy units or in time. There are nine preset programmes in energy exposure and time exposure.

Applications:

- Fixing of nucleic acids to nylon or nitrocellulose membranes.
- Elimination or reduction of PCR Contamination.
- Gene mapping for creating cleavage inhibiting thymine dimmers.
- Ultraviolet curing of polymers, adhesives and links.
- Ultraviolet sterilisation

Technical Specification:

- Wavelength : 312 nm
- Programmer : Microprocessor
- Preset Programmes : 9

Electro Transfer Systems

In electrophoretic transfer (blotting) method, the gel containing the separated sample is sandwiched between immobilizing membranes. When an electric field is applied, the separated molecules are transferred from the gel to the membrane, where they are bound and readily accessible for further analysis. We offer **GeNei™** Blot models: Mini Model (8 x 7 cm gel) & Regular Model (16 x 14 cm gel) are single cassette models for western blotting of proteins onto membrane filters. Dual models of the same are for the electrophoretic transfer of two gels simultaneously and are provided with heat exchanger which controls the temperature of the system and increases the transfer efficiency considerably.

Electro Transfer Mini Model (Cat # 106816)

Description: Buffer reservoir (less than 350 ml capacity) (1 No.), gel cassette for 8 x 7 cm gel (1 No.), Platinum detachable electrode cells (2 Nos.), filter pads (6 Nos.), cushion pads (12 Nos.), Lid (1 No.) and Connecting cord (2 Nos.) and instruction manual.

Electro Transfer Mini Dual Model (Cat # 106819)

Description: Buffer reservoir (less than 600 ml capacity) (1 No.) gel cassette for 8 x 7 cm gel (2 No.), Platinum electrode cells mounted at 3.0 cm distance (2 Nos.), filter pads (1 Pk.), cushion pads (1 Pk.), Heat exchanger (1 No.), Lid (1 No.) and Connecting cord (2 Nos.) and instruction manual.

Electro Transfer Regular Model (Cat # 106850)

Description: Buffer reservoir (less than 1000 ml capacity) (1 No.), gel cassette 16 x 14 cm gel (1 No.), Platinum electrode cells mounted at 3.0 cm distance (2 Nos.), filter pads (6 Nos.), cushion pads (12 Nos.), Lid (1 No.), and Connecting cord (2 Nos.) and instruction manual.

Electro Transfer Regular Dual Model (Cat # 106853)

Description: Buffer reservoir (less than 1500 ml capacity) (1 No.), gel cassette for 16 x 14 cm gel (2 No.), Platinum electrode cells mounted at 3.0 cm distance (2 Nos.), filter pads (6 Nos.), cushion pads (12 Nos.), Heat exchanger (1 No.), Lid (1 No.) and Connecting cord (2 Nos.) and instruction manual.

Recommended Power Supply: GeNei™ Digital PS 3000: 250 V / 3 Amp. Cat # 106858

Technical Information - Electro Transfer Systems

Specification	Mini Model	Mini dual Model	Regular Model	Regular dual Model
Dimensions (l x b x h) cm	11 x 17 x 16	11 x 12 x 16	18 x 7 x 24	18 x 12 x 24
Gel Size (cm)	8 x 7 (1 gel)	8 x 7 (2 gels)	16 x 14 (1 gel)	16 x 14 (2 gels)
Buffer Required	350 ml	600 ml	1000 ml	1500 ml
Cat No.	106816	106819	106850	106853

Ordering Information:

Catalogue Number	Product	Pack Size	Price (Rs.)
HYBRIDIZATION OVEN			
116729	Hybridization Oven	1 Unit.	70000
SEMI DRY BLOTTER			
116745	Semi Dry Blotter (size: 8 cm x 10 cm)	1 Unit.	14500
E-BLOTTER SYSTEM			
116744	E-Blotter Complete System	1 No.	48000
ELECTROTRANSFER SYSTEMS			
106816	Electrotransfer Mini System gel size (8 cm x 7 cm)	1 Unit	14000
106819	Electrotransfer Mini dual System gel size 2 (8 cm x 7 cm)	1 Unit	17100
106850	Electrotransfer Midi System gel size (16 cm x 14 cm)	1 Unit	19400
106853	Electrotransfer dual Midi System gel size 2 (16 cm x 14 cm)	1 Unit	23600
ACCESSORIES			
106817	Filter pads (8 cm x 7 cm) (6 / pack)	1 Pack	1550
106818	Cushion pads (8 cm x 7 cm) (12 / pack)	1 Pack	550
106851	Filter pads (16 cm x 4 cm) (6 / pack)	1 Pack	1750
106852	Cushion pads (16 cm x 14 cm) (12 / pack)	1 Pack	800
106994	Connecting cord (2 / pack)	1 Pack	550
UV CROSS LINKER			
117801	UV Cross Linker	1 Unit	13700

Electrophoresis Equipments

Electrophoresis Systems & Accessories

Submarine Electrophoresis Systems

"Submarine" electrophoresis in agarose gels is the most efficient way to separate DNA fragments. In this technique, the entire gel is submerged in the buffer. Bangalore Genei offers following different models **Mini sub system, Midi sub system, Midi sub prep system, Maxi sub system, Maxi sub XL system & Maxi sub XXL system.**

Mini Sub System (Cat # 106470)

Description: Basic unit (1 No.), platinum electrode assembly removable (2 Nos.), lid (1 No.), Gel running tray 100 x 70 mm (1 No.), 50 x 70 mm (2 Nos.), 8 well comb 1.5 mm (2 Nos.), 3 well preparative comb 3.0 mm (1 No.), gel casting tray, connecting cord (2 Nos.) and instruction manual.

Midi Sub System (Cat # 106508)

Description: Basic unit (1 No.), platinum electrode assembly removable (2 Nos.), lid (1 No.), connecting cord (2 Nos.), Gel running tray 130 x 130 mm (1 No.), Gel platform 130 x 65 mm (2 Nos.), Gel running tray 65 x 60 mm (4 Nos.), 13 well comb 1.5 mm (1 No.), 8 well comb 1.5 mm (4 Nos.), 3 well preparative comb 3.0 mm (1 No.) and instruction manual. Recommended power supply **GeNei™** Programmable PS 500/500 V / 500 mA (Cat# 106857)

Midi Sub Prep System (Cat # 106562)

Description: Basic unit (1 No.), platinum electrode assembly removable (2 Nos.), lid (1 No.) connecting cord (2 Nos.), Gel running tray 250 x 130 mm (1 No.), 13 well comb 1.5 mm (1 No.), 3 well preparative comb 3.0 mm (1 No.), 3 well preparative comb 6.0 mm (1 No.), gel casting tray 250 x 130 mm (1 No.) and instruction manual.

Maxi Sub System (Cat # 106589)

Basic unit (1 No.), Platinum Electrodes (2 Nos.), Gel running tray 200 x 200 mm (1 No.), 26-Well Comb 1.5 mm (1 No.), 3-Well preparative comb 3.0 mm (1 No.), 3-Well preparative comb 6.0 mm (1 No.), Lid (1 No.) Connecting cord (1 No.).

Maxi Sub XL System (Cat # 106614)

Basic Unit (1 No.), Lid (1 No.), Platinum Electrodes (2 Nos.), Gel running tray 300 x 250 (1 No.), 33-Well Acrylic Comb 2 mm (3 Nos.), (Comb with Multi Channel Pipettor Loading), Connecting Cord (1 No.) and instruction manual.

Maxi Sub XXL System (Cat # 106627)

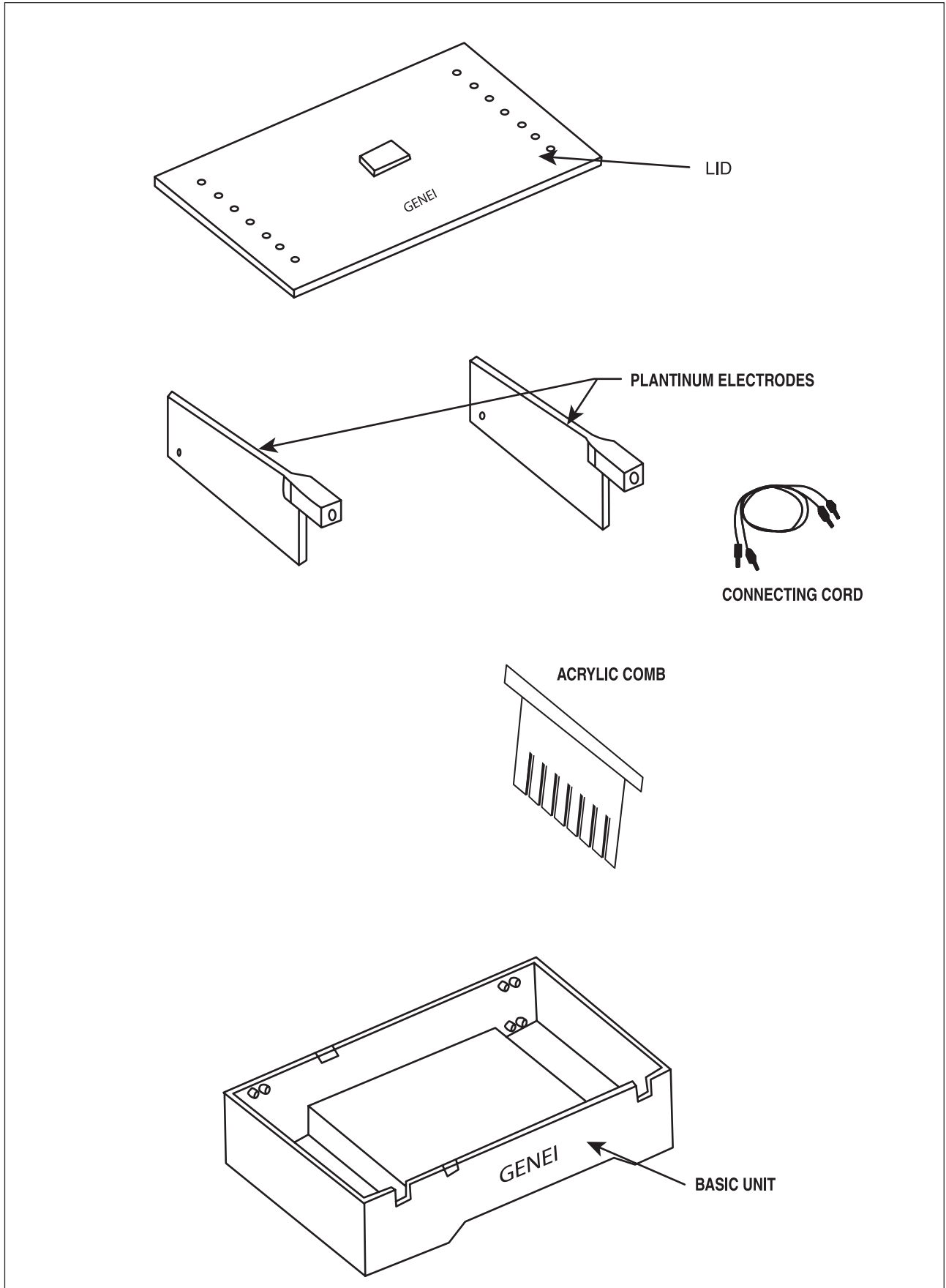
Basic Unit (1 No.), Lid (1 No.), Platinum Electrodes (2 Nos.), Gel running tray 200 x 300 mm (1 No.), Levelling table with Gel casting tray (1 No.), 3 well 3 mm (1 No.), 5, 8, 16, 20 well Acrylic comb 2 mm (1 No. each), 40 well Acrylic comb 2 mm (3 Nos.), (Comb with Multi Channel Pipettor Loading), Connecting Cord (1 No.) and instruction manual.

UV - Transparent Gel Platform

UV Transparent gel platforms are now available for submarine electrophoresis systems. Please select the suitable size of the gel platform for small (Cat # 106470), analytical (Cat# 106508), preparative (Cat# 106562) or large model (Cat# 106589).

Accessories: Please refer to the ordering information

Submarine Electrophoresis System



T
E
C
H
W
A
R
E

E
Q
U
I
P
M
E
N
T

Ordering Information:

Catalogue Number	Product	Pack Size	Price (Rs.)
SUBMARINE ELECTROPHORESIS SYSTEMS			
106470	Mini Sub System: Small model gel size 10 x 7 cm (for 8 samples)	1 Unit	6100
ACCESSORIES for Mini Sub Systems			
106505	Cooling Unit for Cat# 106470	1 Unit	2200
106506	Gel Scoop for 10 x 7 cm Gels	1 Unit	650
106507	Gel Scoop for 10 x 7 cm Gels - UV Transparent	1 Unit	3300
107040	Spare electrodes 2 nos. for Cat# 106470	1 Set	2800
106474	Levelling table for gel casting 15 x 15 cm	1 No.	1750
106475	Developing chamber light proof small	1 Unit	900
106476	Gel running tray 70 x 50 mm (2 / pack)	1 Pack	850
106503	Gel casting tray for 70 x 50 mm	1 No.	950
106477	UV transparent gel running tray 70 x 50 mm	1 Pack	1750
106478	Gel running tray 100 x 70 mm	1 No.	850
106504	Gel casting tray for 100 x 70 mm	1 No.	900
106479	UV transparent gel running tray 100 x 70 mm	1 No.	2850
106500	Comb stand	1 No.	700
106501	Acrylic comb MINI 8 well 1.5 mm	1 No.	650
106502	Acrylic comb MINI 3 well preparative 3.0 mm	1 No.	650
106508	Midi Sub System: Analytical model gel size 13 x 13 cm (for 13 samples)	1 Unit	9800
ACCESSORIES for Midi Sub Systems			
106560	Gel Scoop for 13 x 13 cm Gels	1 Unit	1000
106561	Gel Scoop for 13 x 13 cm Gels - UV Transparent	1 Unit	6600
107041	Spare Electrodes 2 nos. for Cat# 106508	1 Set	4400
106522	Developing chamber light proof ANALYTICAL	1 Unit	1000
106523	Gel running tray 60 x 65 mm (4/pack)	1 Pack	1000
106552	Gel casting tray for 60 x 65 mm	1 No.	1250
106524	UV - transparent gel running tray 60 x 65 mm	1 Pack	1800
106525	Gel running tray 130 x 60 mm (2/pack)	1 Pack	1000
106555	Gel casting tray for 130 x 60 mm	1 No.	1300
106526	UV transparent gel running tray 130 x 60 mm	1 Pack	3500
106527	Gel running tray 130 x 130 mm	1 No.	1000
106556	Gel casting tray for 130 x 130 mm	1 No.	1200

Ordering Information:

Catalogue Number	Product	Pack Size	Price (Rs.)
SUBMARINE ELECTROPHORESIS SYSTEM (Contd.)			
ACCESSORIES for Midi Sub Systems (Contd.)			
106528	UV transparent gel running tray (130 mm x 130 mm)	1 No.	6550
106529	Acrylic comb MINI 8 well 1.5 mm	1 No.	650
106539	Acrylic comb ANALYTICAL 13 well 1.5 mm	1 No.	700
106550	Acrylic comb PREPARATIVE 3 well 3.0 mm	1 No.	700
106551	Acrylic comb PREPARATIVE 3 well 6.0 mm	1 No.	700
106500	Comb stand	1 No.	700
106557	Cooling Unit for Cat# 106508	1 Unit	2400
106562	Midi Sub Prep System: Preparative model gel size 13 cm x 25 cm (for 13 samples)	1 Unit	9800
ACCESSORIES for Midi Prep Sub Systems			
107042	Spare Electrodes 2 nos	1 Set	4350
106567	Gel developing chamber light proof PREPARATIVE	1 Unit	1250
106568	Gel running tray (250 mm x 130 mm)	1 No.	1100
106588	Gel casting tray for 250 mm x 130 mm	1 No.	1250
106569	UV transparent gel running tray (250 mm x 130 mm)	1 No.	10900
106585	Acrylic comb PREPARATIVE 3 well 3.0 mm	1 No.	700
106586	Acrylic comb PREPARATIVE 3 well 6.0 mm	1 No.	800
106539	Acrylic 13-well comb 1.5 mm	1 No.	700
106500	Comb stand	1 No.	700
106587	Levelling table with spirit level (20 cm x 27 cm)	1 No.	1950
106994	Connecting cord (2 / Pack)	1 Pack	550
106995	Adapter set (2 mm/ 4 mm) to be used with Imported power packs	1 Set	1100

Ordering Information:

Catalogue Number	Product	Pack Size	Price (Rs.)
SUBMARINE ELECTROPHORESIS SYSTEM (Contd.)			
106589	Maxi Sub System: Large model gel size 20 cm x 20 cm (for 26 samples)	1 Unit	12750
ACCESSORIES for Maxi Sub Systems			
107043	Spare Electrodes 2 nos for Cat# 106589	1 Set	5900
106594	Developing chamber light proof - LARGE	1 No.	1550
106595	Gel running tray (200 mm x 200 mm)	1 No.	1300
106611	Gel casting tray for 200 mm x 200 mm	1 No.	1500
106596	UV transparent gel running tray (200 mm x 200 mm)	1 No.	12000
106597	26-Well acrylic comb 1.50 mm (In Built)	1 No.	1400
106598	3-Well comb preparative 3.00 mm (In Built)	1 No.	1200
106599	3-Well comb preparative 6.00 mm (In Built)	1 No.	1300
106610	Comb stand for Cat# 106589	1 No.	1050
106612	Levelling table with spirit level (25 cm x 25 cm)	1 No.	2150
106614	Maxi Sub XL System: Extra large model (Custom built) Gel Size 30 cm x 25 cm (for 33 x 3 = 99 samples) with inbuilt comb stand Multi Channel Pipette Compatible	1 Unit	17300
ACCESSORIES for Maxi XL Sub Systems			
107044	Spare electrodes 2 nos	1 Set	8750
106616	Developing chamber light proof - LARGE	1 No.	2550
106617	Gel running tray (300 mm x 250 mm) with combs	1 Set.	6150
106618	UV transparent gel running tray (300 mm x 250 mm)	1 No.	12650
106619	33-Well acrylic comb (2 mm)	1 No.	1750
106620	Levelling table with spirit level (320 mm x 300 mm)	1 No.	2550
106627	Maxi Sub XXL System: Very Large Model (for 40 x 3 = 120 samples) Gel Size 20 cm x 37 cm with inbuilt comb stand Multi Channel Pipette Compatible combs 3, 5, 8, 16, 20, 40 x 3 wells	1 Unit	20350
106628	Acrylic combs 3, 5, 8, 16, 20 (1 No. each), 40 well comb x 3 Nos.	1 Pack	7850

UV T Submarine Electrophoresis System

UV T electrophoresis systems with UV transparent gel tray offers easy gel viewing.

- Durable submarine unit suitable for any molecular biology lab
- Run 7x10, 13x13, 13x25 and 20x20 cm gels
- Combs allow 3, 10, 15 and 26 samples per run
- Mini Sub System UV T (Cat # 106471): Includes UV transparent basic unit with fixed platinum electrodes and lid (1 No.), 10 well comb 1.5 mm; 3 well comb, 3 mm and connecting cord.
- Midi Sub System UV T (Cat # 106509): Includes UV transparent basic unit with fixed platinum electrodes and lid (1 No.), 15 well comb 1.5 mm; 3 well comb, 3 mm and connecting cord.
- Midi Prep Sub System UV T (Cat # 106563): Includes UV transparent basic unit with fixed platinum electrodes and lid (1 No.), 15 well comb 1.5 mm; 3 well comb, 3 mm ;3 well comb 6.0 mm and connecting cord.
- Maxi Sub System UV T (Cat # 106590): Includes UV transparent basic unit with fixed platinum electrodes and lid (1 No.), 26 well comb, 1.5 mm; 3 well comb, 3 mm ; 3 well comb 6.0 mm and connecting cord.

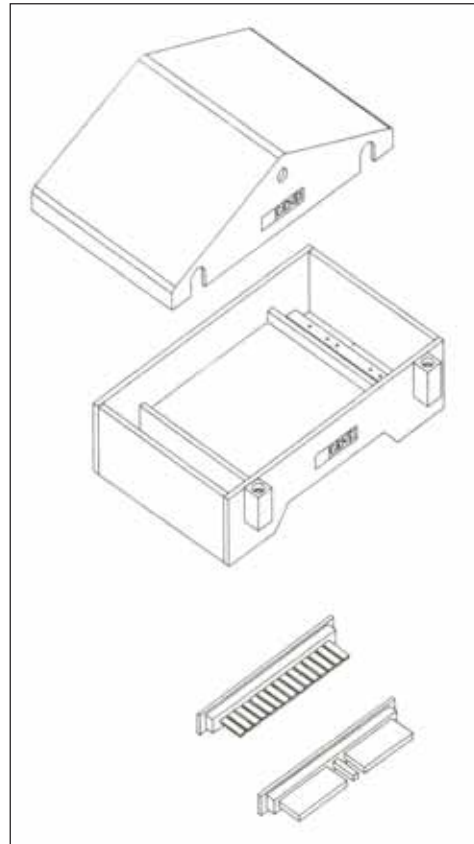
Submarine Electrophoresis System (Imported)

Description: "Submarine" electrophoresis in agarose gels is the most efficient way to separate DNA fragments. In this technique, the entire gel is submerged in the buffer. Bangalore Genei offers complete system with moduled basic unit and electrode. Connecting cord and lid can be removed easily while loading the sample. As basic tank is an moulded unit there is no chances of buffers leakage from the tank. Gel Electrophoresis System, accompanies with 10X7cm tray, one 15X1.0mm teeth and one 20X1.0mm teeth fixed height combs.

Optional Accessories:

- UV-Transparent tray 10X7cm, for GES Cell.

UV T Submarine Electrophoresis System



Paper Electrophoresis System

Description: Basic unit consists of anode and cathode buffer reservoirs capable of accommodating suitable electrode assembly. In case of Vertical model, paper supporting vertical stands with cross rods are provided in between reservoirs, whereas, a removable horizontal supporting stand has been provided in horizontal model. In both the cases transparent acrylic cover are provided for controlling buffer evaporation and for electrical safety.

Vertical Mini for 3 strips: Basic unit with lid (1 Set) Platinum Electrodes (2 nos.), Paper Supporting Rods (3 nos), Connecting Cord (1 set).

Vertical Large for 6 strips: Vertical large is for 6 Strips 10 Micro slides. The system contains Basic unit with lid (1set), Platinum Electrodes (2 nos), Paper supporting rod (3 nos.) Connecting Cord (1 set).

Horizontal Model for 6 Strips: Basic unit with lid (1 set), Platinum Electrodes (2 nos), Paper supporting frame (1 no.), Clamping rods (2 nos.) and connecting cord (1 set).

Ordering Information:

Catalogue Number	Product	Pack Size	Price (Rs.)
UV TRANSPARENT SUBMARINE ELECTROPHORESIS SYSTEM			
106471	Mini Sub System UV Transparent: Small model gel size (10 x 7) cm for 10 samples	1 Unit	8550
106509	Midi Sub System UV Transparent: Analytical model gel size (13 x 13) cm 15 samples	1 Unit	14500
106563	Midi Prep Sub System UV Transparent: Preparative model gel size (25 x 13) cm 15 samples	1 Unit	15600
106590	Maxi Sub System UV Transparent: Large model gel size (20 x 20) cm 26 samples	1 Unit	22250
ACCESSORIES for Mini Sub System UV Transparent			
106472	Acrylic comb 10 well (1.5 mm)	1 No.	700
106473	Acrylic preparative comb 3 well (3.0 mm)	1 No.	700
ACCESSORIES for Midi Sub System UV Transparent			
106520	Acrylic comb 15 well (1.5 mm)	1 No.	850
106521	Acrylic preparative comb 3 well (3.0 mm)	1 No.	700
ACCESSORIES for Midi Prep Sub System UV Transparent			
106564	Acrylic comb 15 well (1.5 mm)	1 No.	900
106565	Acrylic preparative comb 3 Well (3 mm)	1 No.	700
106566	Acrylic preparative comb 3 well (6.0 mm)	1 No.	800
ACCESSORIES for Maxi Sub System UV Transparent			
106591	Acrylic comb 26 well (1.5 mm)	1 No.	1550
106592	Acrylic preparative comb 3 well (3.0 mm)	1 No.	1200
106593	Acrylic preparative comb 3 well (6.0 mm)	1 No.	1200
SUBMARINE ELECTROPHORESIS SYSTEM (IMPORTED)			
116668	Submarine Electrophoresis System (Imported) (size: 10 cm x 7 cm tray)	1 Unit.	39100
PAPER ELECTROPHORESIS SYSTEM			
116723	Paper Electrophoresis System (Vertical Mini for 3 strips)	1 Unit.	11250
116721	Paper Electrophoresis System (Vertical Large for 6 strips)	1 Unit.	16100
116720	Paper Electrophoresis System (Horizontal Model for 6 strips)	1 Unit.	14500

Miniphor & Maxiphor UVT Systems

UVT Submarine Gel electrophoresis systems used for agarose gel electrophoresis of nucleic acids.

The system is supplied with **UV transparent acrylic running tray**, thereby allowing direct viewing of nucleic acid bands over the UV transilluminator without removing the gel.

Miniphor UVT System (Cat # 106888)

Description: UV transparent gel tank - 1 No, lid with preinstalled electrodes - 1 No, Gel casting tray-1 No, UVT Gel running tray (100x70 mm) - 1 No, 8,12 & 16 well acrylic comb, 1.5 mm - 1 No each, Gel scoop 1 No, Connecting cords - 2 Nos.

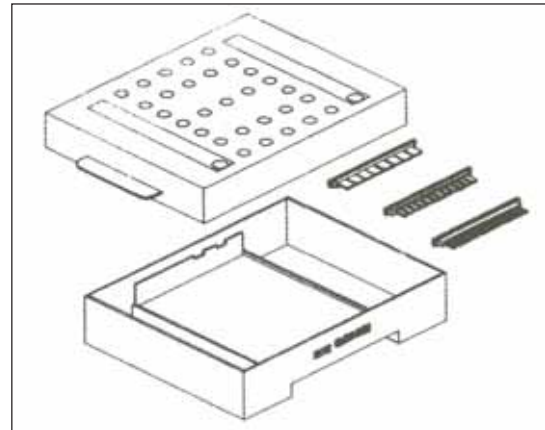
Recommended Power Supply: Genei PS-100 (12-01)

Maxiphor UVT System (Cat # 106901)

Description: UV transparent gel tank - 1 No, lid with preinstalled electrodes 1 No, Gel casting & UVT Gel running tray (150x130 mm) - 1 No, 8, 14 & 20 well acrylic comb 1.5 mm - 1 No each, Gel scoop 1 No, connecting cords - 2 No.

Recommended Power Supply: Genei PS-500 (Cat # 106857)

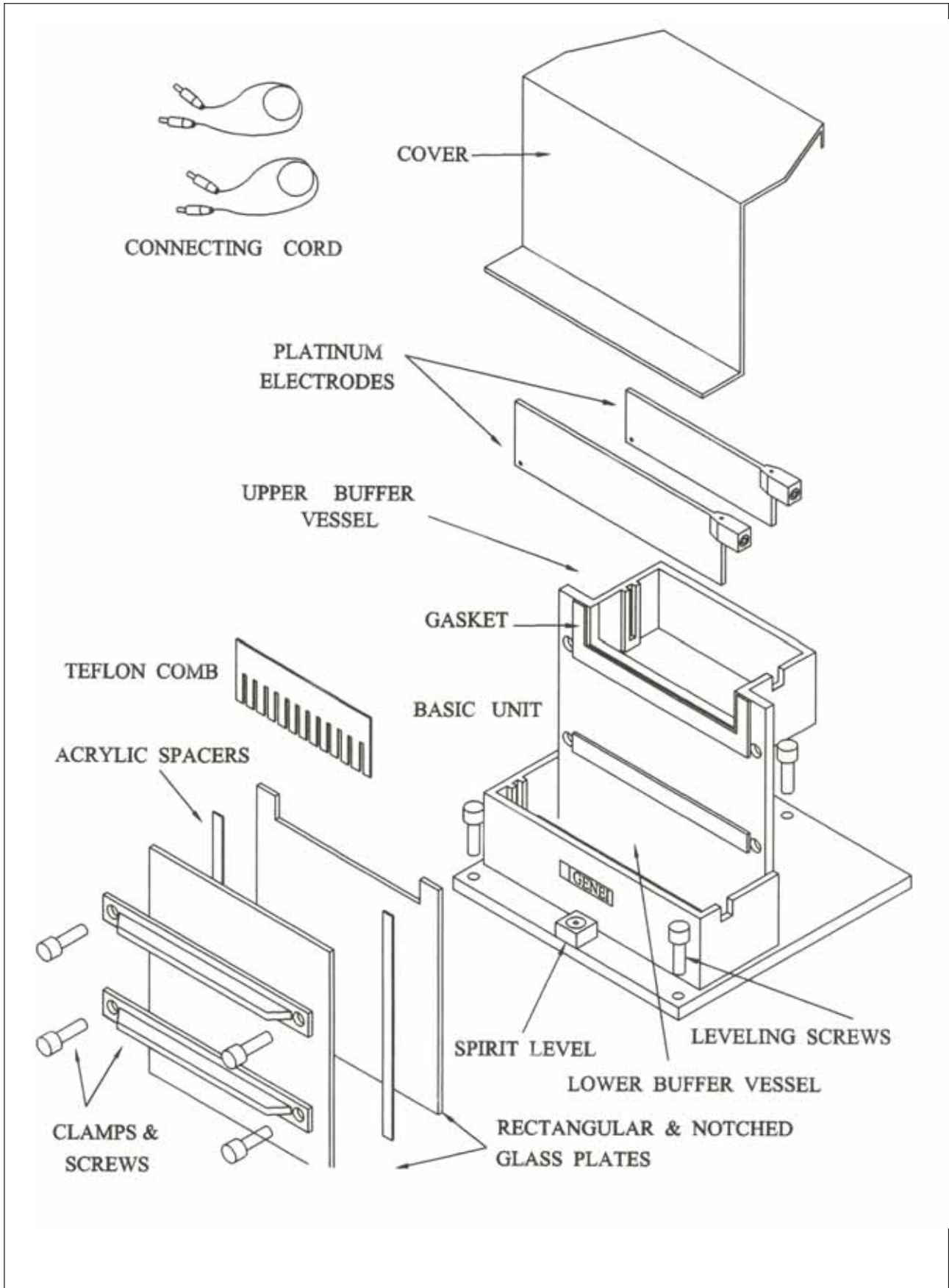
Miniphor UVT System



Ordering Information:

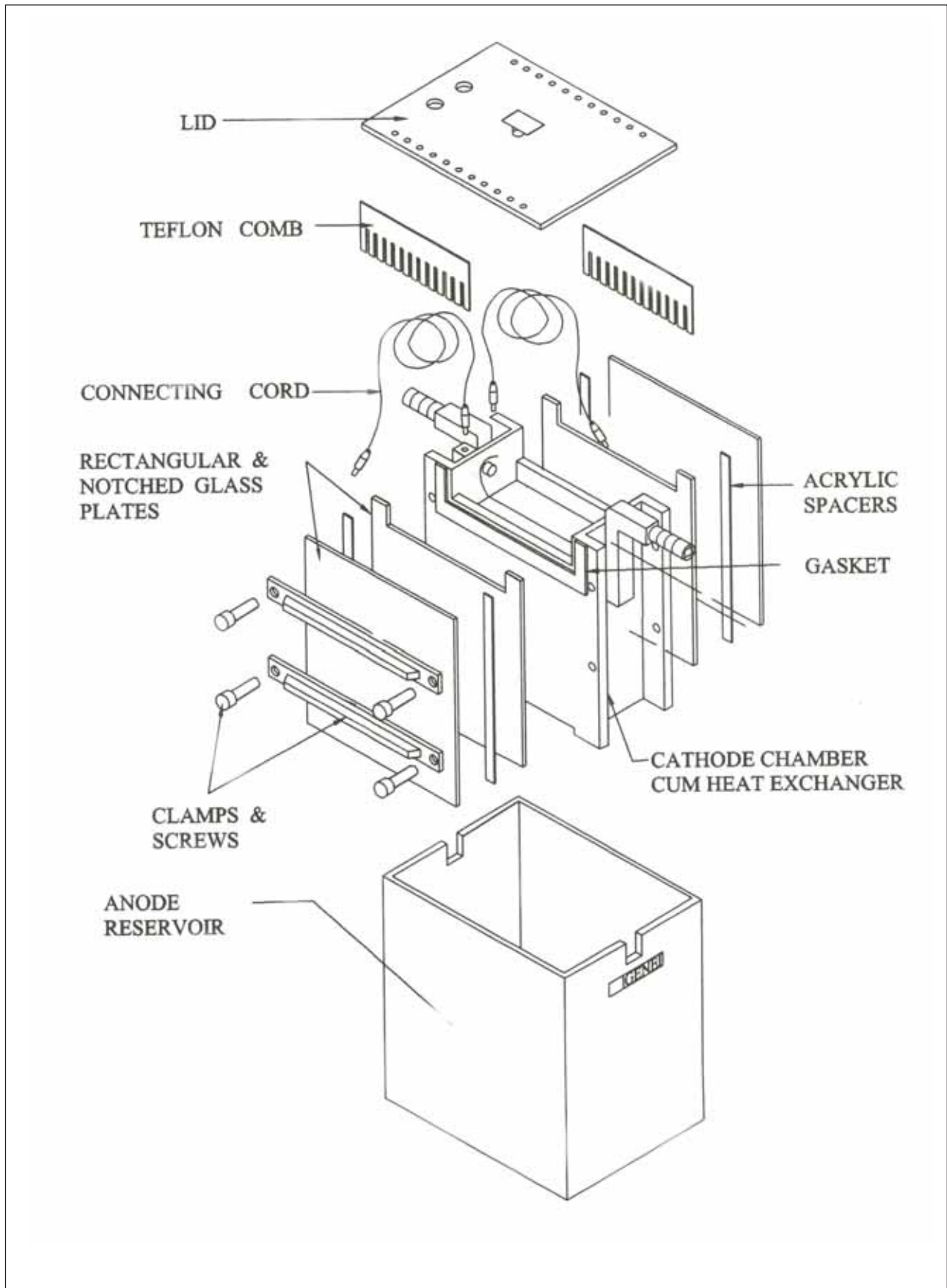
Catalogue Number	Product	Pack Size	Price (Rs.)
MINIPHOR & MAXIPHOR UVT SYSTEMS			
106888	Miniphor UVT System Complete Set with 8, 12, 16 well combs	1 Unit	9300
106889	Acrylic combs for Miniphor 8/12/16 & prep combs (4 Nos.)	1 Set	3150
106900	Cooling unit for Miniphor UVT System	1 no.	1900
106901	Maxiphor UVT System Complete Set with inbuilt Gel casting Tray, 8, 14, 20 well combs	1 Unit	15600
106902	Cooling unit for Maxiphor- Analytical UVT System	1 Unit	2200

Mini & Maxi Vertical Gel Electrophoresis System



TECHWARE EQUIPMENT

Dual Midi Vertical Gel Electrophoresis System



T
E
C
H
W
A
R
E

E
Q
U
I
P
M
E
N
T

Vertical Gel Electrophoresis Systems

Bangalore Genei offers a complete range of vertical slab gel electrophoresis systems, suitable for a wide variety of modern electrophoretic techniques. The MINI model answers the demand for small, conventional electrophoresis unit for fast, high resolution protein separations in 8 x 7 cm gel. The REGULAR model is used for electrophoresis in 16 x 14 cm gel. The DUAL models are versatile ones for running two gels, under similar conditions simultaneously. Gels can be cast in three different thickness with the GEL CASTING UNIT, available for both MINI or REGULAR and DUAL models.

Mini Gel System (Cat # 106680)

Description: For one 8 x 7 cm gel, Basic unit (includes spirit level) (1 No.), rubber gasket fixed (1 No.), platinum electrode assembly removable (2 Nos.), glass plates-notched & rectangular (2 sets), 7 well teflon comb 0.5 mm (1 No.), 1.00 mm (1 No.) & 1.5 mm (1 No.), Teflon spacers 0.5 mm (2 Nos.), 1.00 mm (2 Nos.), 1.5 mm (2 Nos.), clamp and screws (1 set), levelling screws (3 Nos.), lid (1 No.), connecting cord (2 Nos.) and instruction manual.

Dual Mini Gel System (Cat # 106724)

Description: For two 8 x 7 cm gels with provision for water circulation. Basic Unit includes anode chamber - a large buffer reservoir (1 No.), cathode chamber - a small reservoir cum heat exchanger (1 No.) to which rubber gaskets (2 Nos.) and platinum electrodes (2 Nos.) are fixed centrally. Glass plates notched and rectangular (2 sets), 7 well Teflon combs 0.5 mm (2 Nos.) and 1.00 mm (2 Nos.), Teflon spacers 0.5 mm (4 Nos.) and 1.00 mm (2 Nos.), clamp and screws (2 sets), lid (1 No.), connecting cord (2 Nos.) and instruction manual.

Gel Multicaster (for 2 gels)

This system allows simple, leak proof filling of gels from top. It can cast upto two 8x7 (Cat # 106683) or 16x14 (Cat # 106728) gels. It has solid acrylic construction, with easy replaceable silicone seals. However this system needs slightly more gel for casting. Capillary method is used to cast the gel. Separation sheets allow easy separation of the gels after casting.

Midi Gel System (Cat # 106725)

Description: For one 16 x 14 cm gel. Basic unit (1 No.) includes spirit level (1 No.), rubber gasket (1 No.) fixed, platinum electrode assembly removable (2 Nos.), glass plates notched and rectangular (2 sets), 13 well Teflon comb 0.5 mm (1 No.) 1 mm (1 No.) and 1.5 mm (1 No.), Teflon spacers 0.5 mm (2 Nos.) and 1 mm (2 Nos.), 1.5 mm (2 Nos.), clamp and screws (2 sets), levelling screws (3 Nos.), lid (1 No.), connecting cord (2 Nos.) and instruction manual.

Dual Midi Gel System (Cat # 106782)

Description: For two 16 x 14 cm gels with provision for water circulation, Basic unit includes anode chamber - large buffer reservoir to fully enclose the gel plates (1 No.), cathode chamber - a small reservoir cum heat exchanger (1 No.) to which rubber gasket (2 Nos.) platinum electrodes-cathode and anode fixed centrally (2 Nos.), glass plates notched and rectangular (2 sets), 13 well teflon combs 0.5 mm (2 Nos.), 1.00 mm (2 Nos.), Teflon spacers 0.5 mm (4 Nos.) and 1 mm (4 Nos.), acrylic clamps and screws (4 sets), connecting cord (2 Nos.), lid (1 No.) and instruction manual.

Maxi Gel System (Cat # 106783)

Description: For one 16 x 20 cm gel. Basic unit (includes spirit level) (1 No), Rubber gasket fixed (1), Platinum Electrodes assembly removable (2 Nos.), glass plates notched and rectangular (2 sets), 20-well Teflon comb 1.00 mm (2 Nos), Teflon spacers 1.00 mm (6 Nos.), Clamps & Screws (2 sets), Levelling screws (3 Nos.), and lid (1 No.), connecting cord (2 Nos.).

Dual Maxi Gel System (Cat # 106784)

Description: For two 16 x 20 cm gels with provision for water circulation. Basic unit includes anode and cathode chamber cum heat exchanger (1 No.), rubber gasket fixed (2 Nos.), Platinum electrodes anode and cathode fixed centrally (2 Nos.), Glass plates notched and rectangular (2 sets), 20-well Teflon comb 1.00 mm (2 Nos.), Teflon spacers (6 Nos.), Acrylic clamps and screws (4 sets), Levelling screws (3 Nos.), lid (1 No.), and connecting cord (2 Nos.).

Vertical Extra Large System (Cat # 107946)

Description: For one 40 x 20 cm gel. Basic unit with platinum Electrodes (2 Nos.), Glass plates notched and rectangular (2 sets), 80-Well Shark tooth comb 0-50 mm (1 No.), 80-Well Rectangular comb 0-50 mm (1 No.), Spacers 0-50 mm (6 Nos.), Metal clips (6 Nos.), Levelling Screws (3 Nos.), Spirit Level Fixed (1 No.), Connecting cord (1 No.).

Accessories: Please refer to the ordering information.

Ordering Information:

Catalogue Number	Product	Pack Size	Price (Rs.)
VERTICAL SLAB GEL ELECTROPHORESIS SYSTEMS			
106680	Vertical Mini Gel System: Mini model gel size (8 x 7) cm, (HxW) for 7 samples	1 Unit	7500
106724	Vertical Dual Mini Gel System: Mini dual model gel size 2 (8 x 7) cm, (HxW) for 14 samples	1 Unit	10000
ACCESSORIES for Mini Gel/Mini Dual Gel Systems (8 x 7) cm gel			
106681	Glass plates (notched & rectangular) for Cat# 106680	1 Set	650
106683	Mini Gel Multicaster (For 2 gels)	1 Unit	5550
106682	Mini multiple gel casting unit (For 2 gels) (not required if Cat# 106683 is purchased)	1 Unit	1500
106684	Teflon comb 7 well 0.5 mm for Cat# 106680	1 No.	700
106721	Teflon comb 7 well 0.75 mm for Cat# 106680	1 No.	700
106685	Teflon comb 7 well 1.0 mm for Cat# 106680	1 No.	700
106686	Teflon comb 7 well 1.5 mm for Cat# 106680	1 No.	700
106707	Teflon comb 10 well 0.5 mm for Cat# 106680	1 No.	700
106722	Teflon comb 10 well 0.75 mm for Cat# 106680	1 No.	700
106708	Teflon comb 10 well 1.0 mm for Cat# 106680	1 No.	700
106720	Teflon comb 10 well 1.5 mm for Cat# 106680	1 No.	700
106687	Teflon spacers 0.5 mm (6 Nos / pack) for Cat# 106680	1 Pack	600
106723	Teflon spacers 0.75 mm (6 Nos / pack) for Cat# 106680	1 Pack	600
106688	Teflon spacers 1.0 mm (6 Nos / pack) for Cat# 106680	1 Pack	600
106689	Teflon spacers 1.5 mm (6 Nos / pack) for Cat# 106680	1 Pack	600
106702	Acrylic clamp (1) and screws (2) for Cat# 106680	1 Set	550
106706	Gel developing tray with gel holder for 8 x 7 cm	1 Unit	1300
107045	Spare Electrodes 2 nos. for Cat# 106680	1 Set	3300
106994	Connecting cords (2 / Pack)	1 Pack	550
106725	Vertical Midi Gel System: Regular model gel size (16 x 14) cm, (HxW) for 13 samples	1 Unit	11550
106782	Vertical Dual Midi Gel System: Regular dual model gel size 2 (16 x 14) cm, (HxW) for 26 samples	1 Unit	14000
ACCESSORIES for Vertical Midi/Vertical Dual Midi Gel Systems (16 x 14) cm gel			
106726	Glass plates (notched & rectangular) for Cat# 106725 & 106782	1 Set	800
106728	Regular Gel Multicaster (For 2 gels)	1 Unit	8750
106727	Regular multiple gel casting unit (For 2 gels) (not required if Cat# 106728 is purchased)	1 Unit	1650
106729	Gel developing tray with gel holder for 16x14 cm	1 Unit	1450

TECHWARE EQUIPMENT

Ordering Information:

Catalogue Number	Product	Pack Size	Price (Rs.)
VERTICAL SLAB GEL ELECTROPHORESIS SYSTEMS (Continued)			
ACCESSORIES for Vertical Midi/Vertical Dual Midi Gel Systems (16 x 14) cm gel			
106761	Teflon comb 13 well 0.5 mm for Cat# 106725 & 106782	1 No.	1200
106762	Teflon comb 13 well 1.0 mm for Cat# 106725 & 106782	1 No.	1200
106763	Teflon comb 13 well 1.5 mm for Cat# 106725 & 106782	1 No.	1200
106764	Teflon spacers 0.5 mm (6 / Pack) for Cat# 106725 & 106782	1 Pack	700
106765	Teflon spacers 1.0 mm (6 / Pack) for Cat# 106725 & 106782	1 Pack	700
106766	Teflon spacers 1.5 mm (6 / Pack) for Cat# 106725 & 106782	1 Pack	700
106767	Teflon spacers 3.0 mm (6 / Pack) for Cat# 106725 & 106782	1 Pack	900
106768	Acrylic comb prep. 3 well 3.0 mm for Cat# 106725 & 106782	1 No.	650
106769	Acrylic comb prep. 3 well 6.0 mm for Cat# 106725 & 106782	1 No.	800
106780	Acrylic clamp (1) and screws (2) for Cat# 106725 & 106782	1 Set	550
106781	Levelling screws (3 / Pack)	1 Pack	250
106994	Connecting cords (2 / Pack)	1 Pack	550
106995	Adapter set (2 mm/ 4 mm) to be used with Imported power packs	1 Set	1100
107046	Spare electrodes 2 nos for Cat # 106725	1 Set	4850
106783	Vertical Maxi Gel System: Large model gel size (16 x 20) cm, (HxW) for 20 samples	1 Unit	14000
106784	Vertical Dual Maxi Gel System: Large dual model gel size 2 (16 x 20) cm, (HxW) for 40 samples	1 Unit	17000
ACCESSORIES for Maxi Gel/Dual Maxi Gel System (16 x 20) cm gel			
106785	Glass plates notched and rectangular for Cat # 106783 & 106784	1 Set	1100
106786	Gel casting unit - large model (for 2 gels) (not required if Cat # 106787 is purchased)	1 Unit	2100
106787	Maxi Gel Multi Caster (for 2 gels)	1 Unit	12100
106788	Gel dev. tray with gel holder for Cat # 106783 & 106784	1 Unit	1950
106789	Teflon comb 0.50 mm 20 Well for Cat # 106783 & 106784	1 No.	1450
106810	Teflon comb 1.00 mm 20 Well for Cat # 106783 & 106784	1 No.	1450
106811	Teflon comb 1.50 mm 20 Well for Cat # 106783 & 106784	1 No.	1450
106812	Teflon spacers 0.50 mm (6 / pack) for Cat # 106783 & 106784	1 Pack	800
106813	Teflon spacers 1.00 mm (6 / pack) for Cat # 106783 & 106784	1 Pack	800
106814	Teflon spacers 1.50 mm (6 / pack) for Cat # 106783 & 106784	1 Pack	800
106815	Acrylic clamp (1) and screws (2) for Cat # 106783 & 106784	1 Set	650
107047	Spare electrodes 2 nos for Cat # 106783	1 set	6350
107946	Vertical Extra Large System: (80 Samples)	1 Unit	43000
ACCESSORIES for Vertical Extra Large System (Cat# 107946)			
107977	Glass plates notched and rectangular	1 Set	3100
107978	Gel casting unit	1 Unit	6200
107979	Acrylic comb 80 Well 0.5 mm	1 No.	2300
108000	Acrylic comb 80 Well 1.0 mm	1 No.	2300
108001	Shark Tooth comb 80 Well 0.5 mm	1 No.	2850
108002	Shark Tooth comb 80 Well 1.0 mm	1 No.	2850
108003	Acrylic spacers 0.5 mm (6 / pack)	1 Pack	1550
108004	Acrylic spacers 1.0 mm (6 / pack)	1 Pack	1550
108005	Gel Dev. Tray with Gel holder - XL	1 Pack	4500

Vertical Gel Electrophoresis System(Imported)

Description: Vertical Gel Electrophoresis System complete system, system includes electrode module, electrophoresis tank, casting module-2 sets, glass plate set-5 nos, 0.5mm spacer-4 nos, (0.5 mm or 0.75 mm or 1.0 mm) x 10 well comb), One gel gate, Alignment card, glass plate separator, instruction manual.

- Optional Accessories:**
- Electrode Module
 - Casting Module
 - Glass plate Set
 - 1.0mm Spacer
 - 1mm 10 teeth comb
 - Alignment card
 - Glass plate Separator

Paper Electrophoresis System

Description: Basic unit consists of anode and cathode buffer reservoirs capable of accommodating suitable electrode assembly. In case of Vertical model, paper supporting vertical stands with cross rods are provided in between reservoirs, whereas, a removable horizontal supporting stand has been provided in horizontal model. In both the cases transparent acrylic cover are provided for controlling buffer evaporation and for electrical safety.

Vertical Mini for 3 strips: Basic unit with lid (1 Set) Platinum Electrodes (2 nos.), Paper Supporting Rods (3 nos), Connecting Cord (1 set).

Vertical Large for 6 strips: Vertical large is for 6 Strips 10 Micro slides. The system contains Basic unit with lid (1set), Platinum Electrodes (2 nos), Paper supporting rod (3 nos.) Connecting Cord (1 set).

Immuno electrophoresis Systems

Electrophoresis Systems for various protein and immuno electrophoresis technique.

Mini Immuno electrophoresis system (Cat # 106402)

Description: Basic unit (1 No.), platinum electrode assembly detachable (2 Nos.), Lid (1 No.), 1-well comb with supporting stand (1 No.), glass plates 50 x 50 mm (6 Nos.), glass plates 75 x 50 mm (6 Nos.), Acrylic template with well former (1 No.), gel puncher 4.0 mm o.d. (1 No.) connecting cord (2 Nos.) and instruction manual.

Midi Immuno electrophoresis system (Cat # 106413)

Description: Basic unit (1 No.), platinum electrode assembly detachable (2 Nos.), glass plates 75 x 50 mm (6 Nos.), glass plates 50 x 50 mm (6 Nos.), CIE template (1 set), gel puncher 4.0 mm (o.d.) (1 No.), Acrylic Template with well former and 'U' spacers (1 set), lid (1 No.), connecting cord (2 Nos.) and instruction manual.

Immuno/Submarine Multi Purpose Model (Cat # 106419)

Description: Basic unit (1 No.), lid (1 No.), platinum electrode (2 Nos.), connecting cord (2 Nos.), 8 well comb, 1.5 mm (2 Nos.), 13 well comb, 1.5 mm (1 No.) comb stand (1 No.), gel platform 130 x 130 mm (1 No.), gel platform 130 x 60 mm (2 Nos.), levelling table (1 No.), glass plates 100 x 80 mm (6 Nos.), gel punchers 3, 4, 5 mm (o.d.) (1 each), clips (4 Nos.), variable radius template (1 No.), 5-well template (1 No.), 8-well template (1 No.), multiple template with holder and spacer and glass plate 200 x 90 mm (1 set), Graber Williams template with holder and spacer and glass plates 100 x 150 mm (1 set), gel cutter (1 No.), gel remover (1 No.), glass plate and template for electrofocusing 130 x 260 mm (1 set).

Accessories: Please refer to the ordering information

Recommended Power Supply:

Digital Power Supply

GeNei™ Digital PS 500 : 500 V / 500 mA (Cat # 106857)/Programmable Power supply (500 V, 500 mA) (Cat # 116740)

Ordering Information:

Catalogue Number	Product	Pack Size	Price (Rs.)
VERTICAL GEL ELECTROPHORESIS SYSTEM (IMPORTED)			
116667	Vertical Gel Electrophoresis System (Imported) (with (0.5 mm or 0.75 mm or 1.0 mm) x 10 well comb)	1 Unit.	59500
PAPER ELECTROPHORESIS SYSTEM			
116723	Paper Electrophoresis System (Vertical Mini for 3 strips)	1 Unit.	11250
116721	Paper Electrophoresis System (Vertical Large for 6 strips)	1 Unit.	16100
IMMUNOELECTROPHORESIS SYSTEMS			
106402	Mini Immunoelectrophoresis System	1 Unit	5000
106413	Midi Immunoelectrophoresis System	1 Unit	8350
106419	Immuno / Submarine Multipurpose System	1 Unit	15000
ACCESSORIES for Mini Immunoelectrophoresis System			
107215	1-Well comb with stand	1 Set	700
106410	Template with spacer	1 Set	650
106411	Glass plates (50 mm x 50 mm) (12/pack)	1 Pack	650
106412	Glass plates (75 mm x 50 mm) (12/pack)	1 Pack	700
For Midi and Multipurpose System			
106414	Immuno diffusion template- 75 mm x 50 mm	1 No.	650
106415	CIE template	1 No.	650
106417	Gel punchers (3,4,5 mm o.d)	1 No. each	700
106418	Levelling table with levelling screws and spirit level	1 No.	1800
106437	Electrofocussing plate with 0.5 mm spacer	1 No.	1300
106438	Electrofocussing plate with 1.0 mm spacer	1 No.	1300
106440	Electrofocussing plate with 1.5 mm spacer	1 No.	1300
106527	Gel running tray (130 mm x 130 mm)	1 No.	1000
106556	Gel casting tray (130 mm x 130 mm)	1 No.	1200
106441	Gel running tray (130 mm x 60 mm) (2 / pack)	1 Pack	1000
106447	Gel casting tray (130 mm x 60 mm)	1 No.	1300
106539	Acrylic comb 13 well 1.5 mm (In Built)	1 No.	700
106529	Acrylic comb 8 well 1.5 mm (In Built)	1 No.	650
106442	Acrylic comb preparative 3-well 3.0 mm (In Built)	1 No.	700
106443	Acrylic comb preparative 3-well 6.0 mm (In Built)	1 No.	800
106444	Developing tray for PAGE	1 No.	1500
106445	Developing tray for agarose gel (light-proof)	1 No.	1300
106446	Universal punchers & templates	1 Set	2900
106994	Connecting cord (Red & Black)	1 Set	550
106448	Glass plates (100 mm x 80 mm)	6/Pack	700
106449	Glass plates (100 mm x 115 mm)	6/Pack	800
106460	Glass plates (210 mm x 90 mm)	6/Pack	900
106461	Glass plates (260 mm x 130 mm)	6/Pack	1000

Rod Gel Electrophoresis Systems

Bangalore Genei offers three different models of Gel Rod electrophoresis; Rectangular, Circular-small and Circular-large model.

Technical Information:

Regular Dual Model (Cat # 106629)

Description: Basic unit includes a) upper b) lower buffer reservoir and c) middle spacer unit, platinum electrodes assembly-detachable (2 Nos.), silicone rubber grommets with holes (12 Nos.), glass tubes 140 mm long x 5 mm (i.d.) (12 Nos.), glass tubes 75 mm long x 5 mm (i.d.) (12 Nos.), tube stand (1 No.), long needles (2 Nos.), lid (1 No.), connecting cord (2 No.) and instruction manual.

Circular Small Model (8 tubes) (Cat # 106671)

Description: Basic unit (1 No.) includes lower buffer reservoir, centrally arranged circular platinum electrode (anode) and spirit level fixed (1 No.), upper buffer reservoir (1 No.), silicon rubber grommets with holes (8 Nos.), glass tubes-75 mm long x 5 mm (i.d.) (8 Nos.), tube stand (1 No.), long needles (2 Nos), lid with platinum electrode (cathode) fixed (1 No.), connecting cord (2 No.), levelling screws (3 Nos.) and instruction manual.

Circular Large Model (12 tubes) (Cat # 106677)

Description: Basic unit (1 No.) includes lower buffer reservoir, centrally arranged circular platinum electrode (anode) and spirit level fixed (1 No.), upper buffer reservoir (1 No.), silicon rubber grommets with holes (12 Nos.), glass tubes-140 mm long x 5 mm (i.d.) (12 Nos.), tube stand (1 No.), long needles (2 Nos.), lid with platinum electrode (cathode) fixed (1 No.) connecting cord (2 No.), levelling screws (3 Nos.) and instruction manual.

Recommended Power Supply:

Digital Power Supply

GeNei™ Digital PS 100 : 300 V / 100 mA

Cat # 106856

Ordering Information:

Catalogue Number	Product	Pack Size	Price (Rs.)
ROD GEL (TUBE GEL) ELECTROPHORESIS SYSTEMS			
106629	Rod Gel Electrophoresis system Rectangular (12 tubes)	1 Unit	7650
106671	Rod Gel Electrophoresis system Circular (8 tubes)	1 Unit	7500
106677	Rod Gel Electrophoresis system Circular large (12 tubes)	1 Unit	9000
ACCESSORIES (Common for all the above systems)			
106640	Gel destainer-small diffusion type	1 Unit	1900
106641	Gel destainer-large diffusion type	1 Unit	2150
106642	Gel slicer-made of heavy acrylic sheets	1 Unit	1900
106643	Tube stand for 12 glass tubes, height variable	1 Unit	1450
106644	Glass tubes 75 x 3 (length x i.d.) mm (12/pack)	1 Pack	550
106650	Glass tubes 75 x 4 (length x i.d.) mm (12/pack)	1 Pack	550
106651	Glass tubes 75 x 5 (length x i.d.) mm (12/pack)	1 Pack	550
106652	Glass tubes 75 x 6 (length x i.d.) mm (12/pack)	1 Pack	550
106653	Glass tubes 140 x 3 (length x i.d.) mm (12/pack)	1 Pack	700
106654	Glass tubes 140 x 4 (length x i.d.) mm (12/pack)	1 Pack	800
106655	Glass tubes 140 x 5 (length x i.d.) mm (12/pack)	1 Pack	800
106656	Glass tubes 140 x 6 (length x i.d.) mm (12/pack)	1 Pack	900
106657	Silicone rubber grommets with holes (12/pack)	1 Pack	800
106658	Silicone rubber grommets without holes (12/pack)	1 Pack	550
106659	Long needles for removing gel (4/pack)	1 Pack	550
106994	Connecting cord (2/pack)	1 Pack	550
106781	Levelling screws (3/pack)	1 Pack	250

Power Supplies

Popular Digital Models

Popular digital models operates in constant voltage and constant current mode with automatic cross over between modes when preset limits are reached. As a result these power supplies can handle most of the electrophoresis applications.

Euro Model

Power supply is compact, light weight with high technology. It has 4 outlets that can operate in constant voltage and constant current mode with automatic cross over between modes when preset limits are reached. It also has digital timer. This power supply is suitable for mini & midi submarine systems and for all vertical systems.

Bangalore Genei offers power supplies for various electrophoresis techniques. The **GeNei™** Digital PS 500 Programmable Power Supply is ideal for PAGE and gel agarose electrophoresis; the Power Supply **GeNei™** Digital PS 3000 is suited for protein and nucleic acid blotting and the **GeNei™** Digital PS 100 is intended for mini vertical, submarine and rod gel electrophoresis.

High Voltage Power Supply

Bangalore Genei offers high voltage power supply **GeNei™** Digital HVPS, an imported power supply, for DNA sequencing & Isoelectric Focusing which can operate at constant voltage, constant current and constant power.

Benefits:

- Operates in constant voltage, constant current and constant power modes
- Programmable
- Automatic recovery to continue run after power failure
- Runs four gels simultaneously

Safety Features Include:

- Overload protection
- Short circuit protection
- Ground leakage detection

Specifications:

Output voltage	: 30 V to 3000 V DC
Output current	: 2-150 mA
Output Power	: 2-150 W
Timer	: 0.01...99.59 mins. 0.01 to 99.99 kvh
Programmes	: 9 programmes
Weight	: 5 kg
Dimensions	: 30x12x18 cm
Display	: LCD

Specifications:

- LED display of voltage and current.
- Can run two gels simultaneously
- Unit can operate in constant voltage and constant current modes, with separate controls for setting voltage and current. Automatic switch over between constant voltage and constant current modes.
- Input AC voltage 220V \pm 10%
- Has suitable protection against high voltage, short circuit and overload.
- In built voltage stabilizer.
- Accuracy : \pm 3 V and \pm 3 mA

Fixed Voltage Power Supply

The **GeNei™** PS 100 and **GeNei™** PS 200 are fixed voltage power supplies which can be used with electrophoresis systems. **GeNei™** PS 100 is suitable for mini electrophoresis system. **GeNei™** PS 200 can be used for submarine electrophoresis system: analytical model.

Programmable Power Supply

Description: Programmable power supply is made out of powder coated heavy guage MS body. Power supply can store five programmes. Front panel is provided with feather touch keys to increase, decrease and to programme the voltage and current. Power supply is provided with integration timer to complete the cycle incase of power failure.

Technical Specification:

Output Voltage	500V (variable)
Output Current	500mA (variable)
Output Power	90 Watts
Timer	0-60min/hour/Continuous
Display	Digital (LCD)
No.Of Programmes	5
Weight	3Kgs.Approx.
Dimensions(LxWxH)	110mmX235mmX240mm
Input Power	230V,50Hz,A.C.Supply

Highlights:

- Operates in constant voltage or in constant current
- Automatic recovery to continue run after power failure
- Runs two gels simultaneously
- No load sense

Programmable High Voltage Power Supply

Description: Programmable power supply is made out of powder coated heavy guage MS body. Power supply can store five programmes. Front panel is provided with feather touch keys to increase, decrease and to programme the voltage and current. Power supply is provided with integration timer to complete the cycle incase of power failure. Instrument weighs around twelve (12) kgs.

Technical Specification:

Output Voltage	0 to 3000V D.C.
Output Current	0 to 150mA Variable
Output Power	150 Watts
Timer	0-60min/hour/Continuous
Display	Digital
No.Of Programmes	5
Weight	12 Kgs.Approx.
Dimensions(LxWxH)	285mmX300mmX110mm
Input Power	230V,50Hz,A.C.Supply

Highlights:

- Operates in constant voltage or in constant current
- Automatic recovery to continue run after power failure
- Runs two gels simultaneously
- No load sense

Technical & Ordering Information

Specification	Popular Digital Model					Fixed Voltage Model			
	GeNei™ Digital PS 100	GeNei™ Digital PS 500	GeNei™ Digital PS 3000	GeNei™ Digital HVPS	Euro Model	GeNei™ PS 200	GeNei™ PS 100	Programmable Model	
Input AC Voltage	220 V ± 10%	220 V ± 10%	220 V ± 10%	220 V ± 10%	220 V ± 10%	220 V ± 10%	220 V ± 10%	230 V ± 10%	230 V ± 10%
Output DC Voltage	0-300 V	0-500 V	10-250 V	30-3000 V	10-300 V	100, 150, 200, 250 V	50, 100, 150, 200, 250 V	500 V	3000 V
Max. output Current	0-100 mA	0-500 mA	3A	2-150 mA, 2-150W	4-400 mA 75W	200 mA	100 mA	500 mA	150 mA
Timer	Yes	Yes	Yes	Yes	Yes	No	No	Yes	Yes
Display	LED Digital	LED Digital	LED Digital	LED Digital	LED Digital	--	--	LED	LED
Output	one, 4 mm socket	two, in parallel 4 mm socket	two, in parallel 4 mm socket	four, in parallel 4 mm socket	four, in parallel 4 mm socket	one, 4 mm socket	one, 4 mm socket	Two	Two
Cat #	106856	106857	106858	106870	106859	106855	106854	116740	116738
Price (Rs.)	15000	33000	38500	135000	45000	12000	4000	35300	86000

New 300/300 Power Supply

Description: 300/300 Power Supply operates in constant current or in constant voltage. Automatic Recovery enables continued run after power failure. It can be used to run two gels at a time. There is no load sense

Specification:

Output Voltage	300
Output Current	300mA
Output Power	160Watts
Outputs	2 parallel outputs
Input Voltage	230Volts A.C.50Hz.

Ordering Information:

Cat #	Product	Pack Size	Price (Rs.)
117802	300/300 Power Supply	1 No.	22000

Bangalore Genei offers the widest choice of electrophoresis systems along with power supplies.

Our most popular products are featured in this section, reflecting several years of experience in product development and application support. Because of our competitive price, good quality and proven consistency, researchers in India rely on our electrophoresis systems.

We hope that you will find the following guides useful for selecting the right products for your research applications.

Selection Guide - Vertical Electrophoresis System

Specification	Vertical Mini Gel System	Vertical Dual Mini Gel System	Vertical Midi Gel System	Vertical Dual Midi Gel System	Vertical Maxi Gel System	Vertical Dual Maxi Gel System	Vertical Extra Large gel system
Dimensions (l x b x h) cm	15x18x15	16x20x15	25x20x27	23x18x27.5	29x20x21	29x22x23	
Gel Size (cm)	8x7 (1gel)	8x7 (2gels)	16x14 (1gel)	16x14 (2gels)	16x20 (1gel)	16x20 (2 gels)	41x20 (1 gel)
No. of samples	7	14	13	26	20	40	80
Buffer Required (ml)	100 + 150	150 + 200	150 + 200	250 + 500	300 + 600	300 + 700	600 + 200
Water Circulation	No	Yes	No	Yes	No	Yes	No
Cat No.	106680	106724	106725	106782	106783	106784	107946
Price (Rs.).	7500	10000	11550	14000	14000	17000	43000

Selection Guide - Submarine Electrophoresis System

Specification	Mini Sub System	Midi Sub System	Midi Sub Prep System	Maxi Sub System	Maxi Sub XL System	Maxi Sub XXL System
Dimensions (l x b x h) cm	20x10x10	24x18x10	37x18x10	33x23x10	40x33x12	42x34x8
Gel Size (cm)	10x7	13x13	13x25	20x20	30x25	20x30
No. of Samples	8	13	13	26	99	120
Water Circulation	No	No	No	No	Yes	Yes
New Cat No.	106470	106508	106562	106589	106614	106627
Price (Rs.).	6100	9800	9800	12750	17300	20350

Selection Guide - UV Transparent Submarine Electrophoresis System

Specification	Miniphor System	Maxiphor System
Dimensions (l x b x h) cm	14x12x4	24x18x7
Gel Size (cm)	10x7	15x13
No. of Samples	16	20
New Cat No.	106888	106901
Price (Rs.)	9300	15600

Selection Guide - Power Supplies

Cat #	Model	Feature*	Voltage	Current	Power Outlets
106857	Digital	CC/CV	500 V	500 mA	2
106858	Digital	CV	250 V	3 A	2
106856	Digital	CC/CV	300 V	100 mA	1
106854	—	—	50, 100, 150 200, 250 V	100 mA	1
106855	—	—	100, 150, 200, 250	200 mA	1
116740	Digital	CC/CV	500 V	500 mA	2
116738	Digital	CC/CV	3000 V	150 mA	2
106870	Digital	CC/CV/CP	30-3000 V	2-150 mA	4
106859	Digital	CC/CV/Timer	300 V	400 mA	4
116740	Digital	CC/CV/Timer	500 V	500 mA	2
116738	Digital	CC/CV/Timer	30 V-3000 V	150 mA	2

Note: *CC : Constant Current
 *CV : Constant Voltage
 *CP : Constant Power

Selection Guide - Electrophoresis by Application

Application	Elpho Unit	Power Supply
Vertical Gel:		
Standard PAGE/SDS	106725 106782	106857/116740
Mini PAGE/SDS	106680 106724	106857/106855/ 116740
Large PAGE/SDS	106783 106784	106857/116740
Rod Gel:		
Tube Gel PAGE - Small Circular (8 tubes)	106671	106857/116740
Tube Gel PAGE - Rectangular (12 tubes)	106629	
Tube Gel PAGE - Large Circular(12 tubes)	106677	
Submarine Gel:		
Analytical & Preparative Studies of Nucleic acids		
- Small	106470	106857 /106854/116740
- Analytical	106508	106857/106855/116740
- Preparative	106562	106857/116740
- Maxi Sub XL	106614	106857/116740
- Maxi Sub XXL	106627	106857/116740
Submarine UV T - Miniphor	106888	106856/116740
Electrophoresis - Maxiphor (UV - Transparent Model)	106901	106857/106855/116740
Immunoelectrophoresis	106413	106857/116740
DNA Sequencing	106999	106870/116738
Electrotransfer - Standard	106850/106853	106858
- Mini	106816/106819	106858

Ordering Information:

Catalogue Number	Product	Pack Size	Price (Rs.)
ELECTROPHORESIS POWER SUPPLIES			
ANALOG MODEL: FIXED VOLTAGE			
106854	GeNei™ PS 100: Mini Model 50, 100, 150, 200, 250 V Fixed , 100 mA with LED display	1 Unit	4000
106855	GeNei™ PS 200: Mini Model 100, 150, 200, 250 V Fixed , 200 mA	1 Unit	12000
POPULAR DIGITAL MODEL			
106856	GeNei™ Digital PS 100: EPS 300 Model ; 0-300 V; 0-100 mA ; Variable with timer Constant Current ; Constant Voltage ; Digital display	1 Unit	15000
106859	BGPS 300/400: Euro Model Digital Power supply light weight; 10-300 V; 4-400 mA Max 75 W, 4 outlets; Variable with timer; Constant Current ; Constant Voltage ; Digital display	1 Unit	45000
106857	GeNei™ Digital PS 500: EPS 500 Model ;0-500 V; 0-500 mA ; Variable with timer Constant Current ; Constant Voltage ; Digital display	1 Unit	33000
106858	GeNei™ Digital PS 3000: Electrotransfer Model ; 10-250 V ; 3000 mA; Variable with timer Constant Voltage ; Digital display	1 Unit	38500
116740	Programmable Power Supply (500 V, 500 mA)	1 No.	35300
116738	Programmable High Voltage Power Supply (0 - 3000 V; 0 - 150 mA)	1 No.	86000
HIGH VOLTAGE POWER SUPPLY- IMPORTED MODEL			
106870	GeNei™ Digital HVPS: Programmable High voltage power supply (30 - 3000 V ; 2 - 150 mA ; 2 - 150 W)	1 Unit	135000

TECHWARE EQUIPMENT

Gel Drying Equipments

Gel Dryer

The **GeNei™** gel slab dryers are convenient and reliable units for preserving fragile protein electrophoresis gels.

Description:

Gel Drying surface: 25 cm x 35 cm, (in Junior Model) and 35 cm x 45 cm (in Senior Model). Gel Dryers have been designed to accommodate all various gel sizes made on Hoefer, Biorad and Pharmacia electrophoresis instruments. Please select the suitable model. Gels (1.5 mm) take only 30 mins to dry and the unit shuts off automatically after lapse of set time. Both models have unique audio and visual alarm to indicate end of run.

Clear silicon sheet permits easy viewing while gels dry on powerful heaters (400 W in Junior Model and 800 W in Senior Model). The temperature range is ambient to 120° C and the time set upto 4 hours, both can be electronically controlled by the knobs provided. The gel dryer will work most efficiently if connected to a vacuum pump delivering more than 22 PSI (560 mm Hg). The Senior gel dryer is provided with a Vacuum gauge and tubing connectors. The instrument sizes are, Junior (LWH) 540 x 300 x 80 mm, Senior (LWH) 640 x 395 x 80 mm and are encased in a shock proof light weight FRP body. It is supplied with a power cord and a manual. Power requirements: 230 V ± 10% AC.

Rotary Vane Vacuum Pump

This vacuum pump is perfect for electrophoresis gel drying, requiring a continuous vacuum up to 150 liter/min. The pump works well with the junior or senior Gel Dryer. The glass moisture trap can be used in crushed ice to increase the efficiency of the Gel Dryer.

Ordering Information:

Catalogue Number	Product	Pack Size	Price (Rs.)
GEL DRYER			
107104	Gel dryer junior (25 cm x 35 cm)	1 Unit	21300
107105	Gel dryer senior (35 cm x 45 cm)	1 Unit	41000
107148	Silicone sheet - junior (381 mm x 300 mm)	1 No.	6300
107149	Silicone sheet - senior (500 mm x 410 mm)	1 No.	9100
107146	Stainless steel mesh junior (330 mm x 230 mm)	1 No.	4150
107147	Stainless steel mesh senior (420 mm x 320 mm)	1 No.	6050
ROTARY VANE VACUUM PUMP			
107210	Vacuum pump (150 Ltr/min)	1 No.	45000
107112	Moisture trap (for use with crushed ice)	1 No.	1200

Rockers, Shakers & Mixers

Platform Rocker (Gel Rocker)

Description: Gel Rocker can be used for many applications like gel staining, culture aeration, bathing, blotting membranes etc. A metal platform with non-slip rubber mat moves in a gentle 'See Saw' motion. The movement is controlled precisely with a DC motor. Cushion and rubber feet prevent unit from 'slipping'.

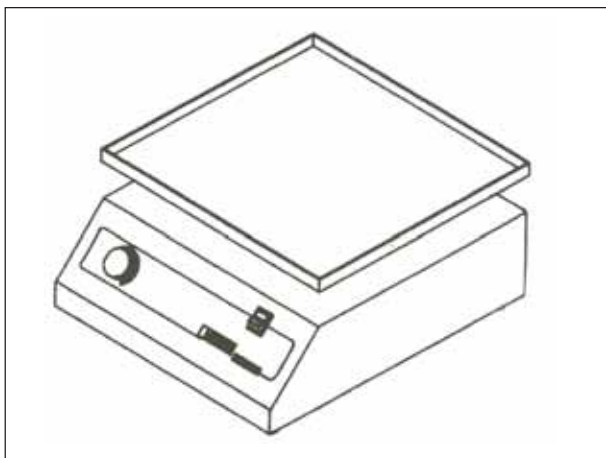
0-60 minute timer is available. Unit switches off automatically after the lapse of set time.

Technical Information:

Parameter

Platform Size	29 cms x 29 cms (l x b)
Platform covering	Rubber mat
Speed	For 107106: Up to 20 oscillations per minute, adjustable For 107107: Up to 40 oscillations per minute, adjustable
Shaking type	See-saw
Input voltage	230 volts ± 10%, 50 Hz, single phase
Timer	0-60 mins, electronic in 107107

Gel Rocker



New Dual Rocker

Description: Bangalore Genei supplies different type of gel rockers with timer, without timer and dual platform with timer. Dual platform rocker can take two gels at a time with a maximum load of 4kgs. Each platform can take maximum load of 2 kgs that fulfils all the requirements for gel staining. It is manufactured using heavy gauge MS with powder coated body. digital timer (upto 99mins) is provided for time related applications.

Technical Information:

Platform size	280mmX280mm
Speed	40 Oscillations/min
Movement	Seesaw
No. of trays	Two
Timer	Digital
Input voltage	230V, 50Hz, A.C.
Weight	6kgs.approx.

Orbital Shaker

Description: Orbital Shakers are made out of powder-coated heavy gauge MS body. Instrument is designed in such a way that it can accommodate 50 ml, 100 ml, 250 ml, 500 ml, 1000 ml Flasks. D.C. motor is used to get the accurate speed control and low noise.

Technical Specification:

Motion	Orbital
Speed	30-250 rpm
Controller	Digital
Platform Size	410 mm x 410 mm
Input Voltage	230 V.50 Hz. A.C. Supply

Incubator Orbital Shaker

Incubator Orbital Shaker are convenient and reliable instrument for fermentation. (For growing the cultures).

Description: Incubator Shakers are made out of powder-coated heavy gauge MS body.. Instrument is designed in such a way that it can accommodate 50 ml, 100 ml, 250 ml, 500 ml, 1000 ml Flasks (with universal flask holder (optional)). D.C. motor is used to get the accurate speed control and low noise level. Front door is made out of acrylic to view inside activity. Temperature is maintained at 0.5°C accuracy with the help of centrifugal blower.

Technical Specification:

Motion	Orbital
Speed	30-250 rpm
Controller	Digital
Platform Size	410mm x 410mm
Temperature Range	above ambient to 60° C
Controller	Digital PID Controller
Accuracy	± 0.5° C
Circulation	Forced air circulation for uniform temperature
Inner Chamber Dimension	430mm x 450mm x 550mm
Input Voltage	230V.50Hz. A.C.Supply

New Universal Flask Holder for Incubator Shaker

Description: Universal flask holder is used in Incubator Shakers. Genei's Universal flask holder can hold 1000ml, 500ml, 100ml and 50ml flasks.

Micro Plate Shaker (can hold 4 Microplates)

Description: Micro Plate Shakers are used to stir very low volume of many samples.

Micro Plate Shaker is made out of powder coated heavy gauge MS body. D.C. motor is used to get very accurate speed control and for very low noise level. At a time four micro plates can be used.

Technical Specification:

Speed	0-1500 rpm
Control	Electronic DC Control Analogue
Plate Capacity	4 Micro Plates
Tray Size	200 mm x 270 mm
Input Voltage	230V /50 Hz.A..C

Tube Rotator

Tube rotators are used to mix the samples of different volume.

Description: Tube Rotator is made out of heavy gauge MS with powder coated body. It contains a magnetic platform to hold different capacity of tube racks. RPM can be set from 10-60rpm. DC Motor is used to get accuracy in speed control and for less noise level.

Technical Specification:

Speed	10-60rpm
Platform	Magnetic Base
Motion	Circular
Control	Variable DC Control
RPM Indicator	Analogue
Platform Size	300mm X 220mm(dual Side)
Voltage	230V A.C.

Instrument is supplied with two tube holders which can hold 10 tubes of 15 ml.

Optional Accessories:

- 1) 50ml Tube Holder(10 Tubes, for Cat # 116669)
- 2) 100ml Tube Holder
(10 Tubes, for Cat # 116669)

New Plate Rotator

Description: Genei's plate rotator is manufactured under strict quality control to get the maximum benefit from the instrument. Main body is manufactured by using heavy gauge MS with decent colour. It can take the load of 1.5mlx10, 15mlx10 and 4x50ml tubes. D.C Motor is used to get accurate speed control and for low noise level.

Technical Information:

Make	Genei
Model	PR1
Tube Capacity	1.5 mlx10, 15 mlx10, 4 x 50 ml
Speed	10 rpm to 100 rpm
Disc Size	300 mm
Speed controller	Analogue
Size	45 x 45 x 45 cm
Weight	8 kgs
Input power supply	230V, 50Hz,A.C.

Magnetic Stirrer with hot plate - 2 Liters

Description: Magnetic Stirrer having a inbuilt hot plate, where in the temperature can be controlled from above ambient to 160° C at an accuracy of ± 5° C with the help of imported thermostat. Strip heaters are used to get uniformity of the temperature. Working table is made out 1.8 mm stainless steel sheet to withstand high temperature.

Technical Specification:

Temperature Range	Above Ambient to 160° C
Speed	2000RPM
Heating coil	Strip Heater
Controller	Analogue
Construction	Aluminium with Powder coated
Input Voltage	230V/50Hz.A.C.
Capacity	5 Ltrs
Dimension (WDH)	165mm x180mm x120mm
Weight	1500 gm

New Digital Hot Plate with Stirrer

Description: Hot plate stirrers are used to mix samples. Genei manufactures magnetic stirrers, magnetic stirrers with hot plate and digital hot plate with stirrer. There is a separate digital display for the temperature indication. Required temperature can be set by using the up and down arrow keys. Temperature is maintained at +/- 2-3deg accuracy.

Technical Information:

Temperature range	Above amb. To 250° C.
Temperature controller	Digital
Temperature accuracy	± 2-3° C.
Rpm	10 to 1400 rpm.
Input voltage	230V,50Hz,A.C.

New Over-head Stirrer

Description: Bangalore Genie manufactures different types of stirrers including high volume stirrers, and magnetic stirrers with hot plates and overhead stirrers. Over-head stirrer is manufactured using heavy gauge MS with powder coated body. The speed controller provided can be used to vary the speed. Height can be adjusted for different types of flasks. A sturdy stand is provided at the bottom to hold the weight of speed controller.

Technical Information:

Speed	1500rpm variable
Controller	Variable DC controller
Main body	Aluminium
Stand	Stainless steel
Input voltage	230V, 50Hz, A.C.

Magnetic Stirrer

Bangalore Genie offers Magnetic stirrers with advanced technology. The accurate speed control assuring trouble free continuous operation. The free spinning rotating magnet spins a Teflon stirring bar (not a standard accessory) to stir liquids in open and closed vessels. The solid state feed back control system maintains excellent speed stability despite viscosity or volume changes or voltage fluctuations.

**Magnetic Stirrer (Cat # 107048)
(100-400 rpm max. 5 liters)**

Specifications:

Stirring Speed	100 rpm to 1400 rpm.
Stirring Capacity	5 liters maximum (at Viscosity of water)
Power Supply	220 V 50/60 Hz with built in stabilizer
Weight	2.0 Kgs. appox.
Magnet Control	High power steel magnet Feed back control system (For linear precise control)
Platform	ss316
Cabinet	Chemical resistant
Working condition	4 to 60 C
Dimension	150 X 160 X 100 mm (W X D X H)

Vortex Mixer

Technical Information:

- 100 to 3200 rpm speed
- Supplied with Cup attachment, One hand attachment, One hand insert, Micro tube insert.
- Manual and touch mode operation

New Wrist Action Shaker

Description: Genie's wrist action shaker is made out of heavy gauge MS body. It can take a load of 10-250ml of flasks with the angle of 45° C and shakes the sample upto 80 oscillation/min. The Digital timer is provided to run the instrument for the required time.

Technical Information:

Flask capacity	Variable 10 to 250ml
Speed	0-80 Oscillation/min
Angle	45° C.
Movement	Wrist action
Timer	0-60mins.
Input Voltage	230V, 50Hz, A.C.

Ordering Information:

Catalogue Number	Product	Pack Size	Price (Rs.)
ROCKERS, SHAKERS & MIXERS			
107106	Platform rocker I (One Platform)	1 Unit	15500
107107	Platform rocker II (One Platform with Electronic Timer)	1 Unit	18600
117793	Dual rocker	1 Unit	19900
116731	Orbital Shaker (for 250 ml x 16 Flasks)	1 Unit	51000
116736	Incubator Orbital Shaker (with 250 ml x 16 Flasks)	1 Unit	62000
117798	Universal Flask Holder for Incubator Shaker	1 Unit	5200
116739	Microplate Shaker (can hold 4 Microplates)	1 Unit	14000
116669	Tube Rotator	1 Unit	21300
116722	50 ml Magnetic Tube Holder (10 tubes, for TR1)	1 No.	1100
116725	100 ml Magnetic Tube Holder (10 tubes, for TR1)	1 No.	1450
117794	Plate Rotator	1 Unit	23500
116663	Magnetic Stirrer with hot plate - 2 Liters	1 Unit	13400
117795	Digital Hot Plate with Stirrer	1 Unit	22500
117796	Over-head Stirrer	1 Unit	19000
107048	Magnetic stirrer 100 - 1400 rpm max. 5 liters	1 Unit	6750
107049	Magnetic paddles (30 x 9 mm)	1 No.	250
107945	Magnetic stirrer 100 - 1400 rpm max. 10 liters	1 No.	11800
106887	Vortex mixer	1 No.	11000
117803	Wrist Action Shaker	1 No.	39000

PCR Equipments & Sequencing

DNA Sequencer

The Seque **GeNei™** vertical sequencing apparatus is ideal for analytical Polyacrylamide Gel Electrophoresis of oligonucleotides. The system offers many advantages:

- Heat proof glass plates
- Anodized aluminium heatsink that provides uniform temperature control.
- **Imported combs and spacers**
- Safety at high voltage
- Removable buffer tanks

Technical Information:

Specification	Model I
Gel Size (cm)	45 x 21.5 cm
Buffer Required (ml)	750
Power required	2000 V;100mA
No. of slots : Shark tooth comb - 36 well & 27 well	
Cat #	106999

Recommended Power Supply: **GeNei™ Digital HVPS Cat # 106870/116738**

Acrylic Glass Plates Stand (Cat # 106998)

This convenient 10 place sequencing glass plate rack is used for drying, ease in carrying from bench to sink and storage.

Thermal Cycler

Description: Thermal cyclers are used for In-vitro DNA amplification. Genei offers a compact unit with 25X0.2ml and 20X0.5ml micro tube formats. Genei thermal cyclers can be programmed with password protection. Maximum of 80 programmes can be stored in this equipment.

Highlights:

- Fast track programming with free software upgrades
- More Reliable with high performance
- Portable dual voltage
- Fast ramping rate: up to 3.6° C/Sec
- PC control and networking options

Technical Specification:

Sample Capacity(0.5ml)	20
Sample Capacity(0.2ml)	25
User Interchangeable block (tool required)	yes
Heating Rate	3.6° C/Sec
Block Uniformity at 50° C	0.1° C
Temperature Range	4° C to 99° C
Temperature set point precision	0.1° C
Selectable heated lid temperature	100° C -115° C
Heated lid enable/disable	yes
Over Temperature cut-out	yes
Number of programs	80
Password protection	yes
Programming/Display alphanumeric	4-line
Peltier elements/Blocks	4
Dimensions(LxWxH)	330x185x190
Connection to PC	yes(via gensoft)
Power	230V/120V

New 96 well Thermal Cycler

Technical Information:**Blocks Formats**

0.5ml capacity	60
0.2ml capacity	96
384-well block	Yes
In-situ block	Yes
User interchangeable	Yes

Block Temperature Specifications

Maximum ramp rate*	2.6° C/sec
Block uniformity at 50° C*	< ± 0.3° C
Temperature range	4° C to 99° C
Temperature set point precision	0.1° C

Heated Lid

Selectable heated lid temperature	100° C - 115° C
Heated lid enable/disable	Yes
Over temperature cut out	Yes
Regulated lid pressure	Yes
Heated lid only comes on if block is set above 35° C	

Programming

Number of programs #	80
Password protection	Yes
Programming	4-line alphaN
Graphical display	No
Incremental/decremental temperature	Yes
Incremental/decremental hold time	Yes
Maximum hold time	18 hrs
Minimum hold time	1 sec
Variable programmable ramp rate	0.1° C/sec steps
Run end time calculation	Yes
Pause and stop facility	Yes
End of program alarm (enable/disable)	Yes
Auto restart on power failure	Yes

Miscellaneous

Serial port	RS232
Dual Voltage (120/230V)	Yes
Temperature sensor	Thermistor
Peltierelements/block	8
Dimensions L x W x H (in inches)	16.5 x 8.6 x 10.2
Footprint L x W (in inches)	142 in ²
Connection to PC control program	Yes
Free software upgrades from website	Yes
Power consumption	620 Watts
Frequency	50 - 60 Hz
Net weight	11kg (total)

* Given are typical values of a standard 0.2ml block, in an ambient temperature of 20° C. # Actual numbers are dependent on complexity of the programs. The instrument is supplied with one 96 well block.

New 96 well Gradient Thermal Cycler

Technical Information:

Block Formats

0.5ml capacity	60
0.2ml capacity	96
384 well block	yes
Gradient block	0.5ml,0.2ml,384
In-situ block	yes
User interchangeable	yes

Block Temperature

Gradient Range	20° C to 70° C
Maximum Gradient	30° C (16° C for 384 well)
Maximum ramp rate	3.0° C/sec
Block uniformity at 50Deg C	0.3° C
Column uniformity with a 10° C Gradient	0.3° C
Temperature Range	4° C to 99° C
Temperature set point precision	0.1° C

Heated Lid

Selectable heated lid temperature	100° C to 115° C
Heated lid enable/disable	yes
Over temperature cut out	yes
Regulated lid pressure	yes

Programming

Memory cards	yes
Number of programs	50 or 500 (with card)
Password protection	yes
Programming	touch screen
Graphical display	Real time graph
Incremental/decremental temperature	yes
Incremental/decremental hold time	yes
Maximum hold time	99hrs
Minimum hold time	1 sec
Variable programmable ramp rate	0.1° C/secsteps
Run end time calculation	yes
Pause and stop facility	yes
End of program alarm	yes
Auto restart on power failure	yes

Miscellaneous

Serial port	RS232/485
Dual Voltage 115/230V	yes
Temperature sensor	Thermistor
Peltier elements/block	8
Dimensions LxWxH(mm)	420X220X260
Foot print (LxW)	420MMx220MM
Connection to PC control program	yes
Free software upgrades from website	yes
Power consumption	620 Watts
Frequency	50-60 Hz
Voltage	230/115V or 100 V
Instrument is supplied with one 384 well block	

PCR Workstations

Polymerase chain reaction (PCR) is a technique, which is used to amplify several fold a specific region of DNA of interest. This technique can be used to identify DNA sequence specific to viruses and / or bacteria causing diseases.

As PCR is capable of amplifying as little as a single molecule of DNA, precautions should be taken to guard against contamination of the reaction mixture with even trace amounts of foreign DNA that could serve as template.

The **PCR Workstation** is designed to protect against contamination in sensitive PCR amplification reactions in the following ways:

1. The convenient table top model, **Mini PCR Workstation** (Cat # 107211), is fitted with an UV lamp. It can accommodate 96 well microtube rack with micro tubes, PCR microplate, PCR pipette, tips, gloves, etc., for UV irradiation.
2. The **Midi PCR Workstation** (Cat # 107214) is fitted with two 15W UV Germicidal lamp (254 nm) and one fluorescent lamp. Dual UV Bulbs deliver twice the intensity of UV light than that of the single, and will help irradiate areas that might otherwise be inaccessible. The Dual UV bulb format is recommended when the researcher desires to use the Workstation to decontaminate apparatus and reagents.
3. UV irradiation of working materials prior to use, blocks replication of contaminating DNA sequences by causing adjacent pyrimidines to undergo dimerization.
4. Protection against cross or airborne contamination can help to get excellent PCR results.

Technical Information:

Specification	107211	107214
Working Space(WxD)	29x13 cm	45x60x30 cm
UV Lamp	1 no. (6W)	2 nos. (15W)
White Light	- x-	1 no.

PCR Submarine Electrophoresis System with power supply

(With combs for Multi-Channel Pipettor Loading)

PCR Electrophoresis System with power supply EPS 500 (Cat # 106621)

This system is suitable for PCR Submarine electrophoresis in agarose gels and is provided with 30 slots for preferential loading of PCR samples, using multi-channel pipette. In this technique, the entire gel is submerged in the buffer. UV Transparent Gel running tray offers easy gel viewing in Transilluminator.

Description: Basic unit with lid (1 Set), Platinum Electrode Assembly Removable (2 Nos.), Gel Casting Kit (containing UV Transparent gel running tray 270 x 200 mm and Gel casting tray) (1 Set), 30 well comb 1.5 mm (2 Nos.), Connecting cord (2 Nos.), and instruction manual.

Power Supply Description:

GeNei™ DIGITAL PS 500 (Power Supply):
Input AC 230 V, Output DC voltage 0-500V, Max. output current 0-500 mA with timer.

Ordering Information:

Catalogue Number	Product	Pack Size	Price (Rs.)
DNA SEQUENCER (with imported comb & spacers)			
106999	Seque GeNei™ DNA Sequencer gel size (21.5 x 45 cm) (WxH) for 27 & 36 samples	1 Unit	36400
ACCESSORIES			
107912	Shark tooth Comb - 36 well (Imported)	1 No.	8300
107913	Shark tooth comb - 27 well (Imported)	1 No.	8300
107930	Spacers (Imported)	2 Nos.	7900
106996	Glass plates - notched & rectangular	1 Set	3000
106997	Metal Clips	1 Each	170
106998	Acrylic Glass Plate Stand	1 No.	4250
THERMAL CYCLER			
116711	Thermal Cyclor (Sample Capacity: 0.2 ml x 25 Well Block)	1 Unit.	270000
116712	Thermal Cyclor (Sample Capacity: 0.5 ml x 20 Well Block)	1 Unit.	270000
96 WELL THERMAL CYCLER			
117805	96 well Thermal Cyclor	1 Unit	315000
117561	96 well Gradient Thermal Cyclor	1 Unit	450000
PCR WORKSTATIONS			
107214	Midi PCR Workstation (HxWxD: 45x60x30) cm (Designed for UV Irradiation of PCR Chemicals & Instruments)	1 Unit	31150
107211	Mini PCR Workstation (29 x 13 cm) (Designed for UV Irradiation of PCR Chemicals)	1 Unit	4450
PCR SUBMARINE ELECTROPHORESIS SYSTEM (with combs for Multi-Channel Pipettor Loading)			
106621	PCR sub system: (for 30 samples) Gel Size 20 x 27 cms complete unit (with combs for Multi-Channel Pipettor Loading & power supply EPS 500) Model ; 0-500 V ; 0-500 mA ; Variable with timer Constant Current ; Constant Voltage ; Digital display	1 Unit	47600
106626	PCR sub system: Elpho unit (for 30 samples) Gel Size 20 x 27 cms with combs for Multi-Channel Pipettor Loading without power supply	1 Unit	13000
ACCESSORIES			
106622	Gel Casting Tray, Gel Running Tray with combs	1 Set	4800
106623	UV Transparent Gel Casting Tray, Gel Running Tray with combs	1 Set	19250
106624	Acrylic Comb 30 well (1.5 mm)	1 no.	1750
106625	Acrylic Developing Chamber Light Proof - PCR sub system	1 no.	2000

Gel Analysis Equipments

GeNei™ Image System

Description: GeNei image System can be operated as a stand alone system for producing high quality thermal prints of gel images. However, image can be easily transferred to a computer as a 12-bit TIFF or JPEG file, either through the network or through a compact flash card. The images can then be manipulated by using the user friendly GeNei software which enables image manipulation, annotation and simple analysis. Saturation monitoring of the live image ensures that fully quantifiable images can be captured directly.

GeNei™ Image System Components:

- ◆ High Quality CCD Camera
- ◆ Real Time Image display
- ◆ Dark Room with wide access door
- ◆ Transilluminator 20 x 20 cm
- ◆ UV Transilluminator 312 nm
- ◆ Visible Light & Ethidium Bromide Filter
- ◆ Zoom Lens
- ◆ Manual control of lighting, zoom lens & image capture
- ◆ Compact Flash Card with USB Reader
- ◆ 17 pre-set integration times

GeNei™ Image Analysis Software:

- ◆ Enhance images with adjustments including brightness, Contrast, Invert and annotation
- ◆ Good laboratory practice
- ◆ Molecular Weight

Highlights:

- No computer is required with this system to view the gel.
- Built in LCD Screen Display
- Compact Flash Drive, Built in Network Card
- High quality universal Filter
- USB card reader
- Software (MW Analysis, Image Manipulation, annotations, colony counting)
- Ideal for multi-user environments
- Light saturation of image detectable on monitor or LCD screen

Technical Specification:

CCD camera

Sensor	CCD camera
Resolution	758 (V) X 582 (H)
Signal to noise	> = 58 dB
Zoom lens	8-48 mm F1.0, Manual zoom
Filter	Visible light and Ethidium Bromide filters

Pixel Intensity

12 Bit, 255 Gray Levels

Hardware

Dark room

Illumination type	Epi-white light
Excitation source	312 nm, Dual intensity, 20 x 20 cm
Power	230V, 50-60Hz
Monitor	TFT - LCD monitor
Safety interlock	Yes
Image type	TIFF, JPG, BMP files
Drive	1GB Compact Flash Card with USB Reader

Genei Image Analysis Software

Genei Image Software	Annotation, GLP, Image Manipulation & Molecular Weight Calculation
----------------------	--

New GeNei™ Xplorer Image Analysis System

Description: An introduction to Gel Documentation Electrophoresis is an extremely common technique in molecular biology, used routinely to analyse DNA preparations in order to check quantity, size, structure and constitution of prepared samples. After separation on a gel (usually agarose), DNA is normally visualised under UV light after treatment with a fluorescent stain such as ethidium bromide. Electrophoresis is also used to study similar properties in protein samples though in this case, visualisation is normally under visible light after treatment with visible stains such as Coomassie or silver.

Whatever the sample or method of visualisation, it is often required or at least desirable to keep a record of the analysis for future reference and/or analysis. This can be achieved with instant photography to produce a "hard copy" print of the illuminated gel and its visible bands.

Unlike with instant photography, a live video preview of the gel image can be seen prior to image "capture". The captured image can be saved as a computer file, which can be easily archived, printed when necessary and analysed, using suitable software.

In these days of routine, high throughput, analysis of DNA in particular, both of the above are enormously important to the efficiency of many research and analytical laboratories. The design of a gel documentation system should reflect not only the type of user and application, but also the number of users and the environment in which it is situated

GeNei™ Xplorer gel documentation systems

The **GeNei™ Xplorer** is a 1.4 mega pixels gel documentation system ideal for documentation, publication and quantification. The very high resolution provides more quantification data as the image contains more details. The **GeNei™ Xplorer** is a native 14-bit system, as compared with 12-bit competitor systems. The dynamic range describes the ratio between the maximum and minimum measurable light intensities. Light measurements are translated into digital values with precision measured by the bit depth. The **GeNei™ Xplorer** extended dynamic range provides for more quantification data.

Specification:

- Scientific grade camera with electronically variable shutter speed and motorised zoom lens options;
- The CCD camera in the instrument is well protected, which ensures that camera damage is practically impossible.
- Superb quality camera filter optimized for ethidium bromide
- 4-position filter slide
- 1.4 Megapixels;
- Super-high sensitivity;
- 14-bit performance (16,384 grey levels);
- 6 X optical zoom; dynamic range 4.0 OD;
- Pixel size 7.4 x 7.4 microns;
- FireWire super-fast connection
- By using a separate white light source in this system, the UV lamp is not consumed during the process of acquiring protein gel photos.
- Ideal for documentation, quantification & publication
- Built-in roll-out transilluminator
- 3 image analysis modules:
 - 1D Molecular weight (MW, volume, intensity)
 - Colony counting
 - Distance calculation (RF, IEF)

Applications:

- 1D nucleic acid;
- 1D protein gel;
- Microtitration plate or array;
- Multiplexing samples;
- Plant and bioluminescent samples;
- Petri dish imaging;
- Flash imaging.

Transilluminators

IMPORTED MODEL

Transilluminators are used for visualization of ethidium bromide stained nucleic acids. Transilluminators are designed and manufactured to the highest possible specification. All models have high output UV tubes, which have an average life expectancy of 5000 hours. The UV filters are polished to give blemish free viewing of the gel.

Handheld UV lamp

It is a dual wavelength (365 and 254 nm) UV lamp, fitted with two UV tubes. The operator friendly shape permits lamps to be held easily with gloved hands. The lamp can be used for electrophoresis gel viewing.

UV Face Shield

IMPORTED MODEL

UV radiation is dangerous for unprotected eyes and skin, therefore its mandatory for the user to wear UV protective face shield.

UV Transilluminator - College Model

This Transilluminator has viewing area of 25 x 13 cm and three 8W UV tubes (midrange).

This instrument is useful for the detection of DNA of minimum conc. 500 ng.

White Light Transilluminator

This Transilluminator has a viewing area of 25 x 25 cm. This instrument is useful for the detection of proteins.

New White Light Converter

Description: White light converters are used to convert the UV Light into white light. Protein gels can be viewed in the Gel doc systems or in the Transilluminators.

Technical Information:

Size 20cmX20cm
Weight 600Gms. Approx.

Ordering Information:

Catalogue Number	Product	Pack Size	Price (Rs.)
GeNei™ IMAGE SYSTEM			
107947	GeNei™ Gel doc system (GeNei™ Image System), includes dark room, UV transilluminator, epi-white illuminator, CCD camera, USB drive, Cables, Band analysis software, Instruction Manual, 220 V AC	1 Unit	450000
117804	GeNei™ Xplorer Image Analysis System	1 Unit	575000
TRANSILLUMINATORS			
107161	UV Transilluminator with filter (312 nm) 20 cm x 20 cm Imported	1 Unit	87000
107145	UV Face Shield Imported	1 Unit	8500
107108	Handheld UV Lamp 6 Watt 50 mm x150 mm (365, 254 nm) Imported	1 Unit	25000
107177	Spare 8W UV Tube	1 No.	12100
107172	White Light Transilluminator (25 cm x 25 cm)	1 Unit	17000
107178	White Light Tube 8 W for Cat # 107172	1 No.	650
TRANSILLUMINATOR COLLEGE MODEL			
107171	UV Transilluminator without filter (25 cm x 13 cm) (For detection of more than 500 ng of DNA)	1 Unit	24000
107179	UV Tube 8 W for Cat # 107171	1 No.	1050
TRANSILLUMINATOR COLLEGE MODEL			
117799	White Light Converter	1 No.	30000

TECHWARE EQUIPMENT

Centrifuges

Fixed Rotor Microcentrifuges

The microcentrifuge has been tested in our laboratory under various conditions. You will find it an excellent companion for all small volume centrifugation in 1.5 ml tubes in cold room or at room temperature.

Applications:

- Cell Pelletting
- Quick Spins for Enzyme Reaction
- Initial Spin for DNA Sequencing
- Quick Spin for Primer Annealing / Hybridization
- Serum Sampling
- Other Short Spin Runs.

Technical Information (Cat # 107110):

Max speed	6000 rpm FIXED
Rotor Capacity	Fixed Angle 6 Places x 1.5 ml
Noise Level	< 60 dB
Ambient Operating Temperature	0 -40° C
Net weight	1 Kg.

Technical Information (Cat # 107944):

Speed	10,000 rpm
Capacity	1.5 ml to 2 ml x 6 tubes
Control	Variable regulated Speed
Digital Timer	1 to 20 min/Continuous mode
Safety	Closed lid operation
Working condition	4° C to 60° C
Input voltage	220V ac@ 50 Hrtz

New

14,000 rpm Centrifuge

Description: Bangalore Genei offers low speed centrifuge (6000rpm), medium speed (10000rpm) and high-speed centrifuge (14000rpm). Genei's high-speed centrifuge can go upto 14000rpm and can take a maximum load of 12X1.5ml/2ml rotor. The centrifuges are manufactured under strict quality control to work at maximum speed with maximum time of 20mins. Genei's centrifuge is made out of heavy gauge MS with powder coated body. BLDC motor is used to get maximum safety and low noise level. There are two user safety protections which stops the motor in case of an imbalance and when the lid is not closed properly. There is a separate digital indicator for the timer and analogue controller for the speed.

Technical Information:

Speed	14000rpm
Capacity	12x1.5ml/2ml
Speed controller	Analogue
Timer	Digital (20min)
Safety	Closed lid Imbalance
Working condition	4° C to 60° C
Weight	4kgs(approx)
Input Voltage	230V,50 Hz,A.C.

Ordering Information:

Catalogue Number	Product	Pack Size	Price (Rs.)
CENTRIFUGE			
107110	Microcentrifuge (fixed rotor speed 6000 rpm)	1 Unit	11550
107944	Microcentrifuge (fixed rotor speed 10000 rpm) with digital timer	1 Unit	28100
117792	14,000 rpm Centrifuge	1 Unit	34000

General Lab Equipments

Ligation Bath

A sub-ambient Dry Bath which can be used on bench top for all applications requiring any temperature from 5° C to 60° C (like incubation, ligation, intermediate storage of enzymes etc.). It uses thermo-electric cells (also called Peltier cells) - a state-of-art technology used extensively in thermocyclers (PCR machines). It does not have any messy components associated with normal refrigeration units like compressors, gas etc. The electronic controls with digital display ensures uniform temperatures across the aluminium block and an excellent temperature control.

Description:

The ligation bath is totally solid state controlled, rugged and easy to handle. Each unit is provided with a solid Aluminium block which can accommodate up to 12 test tubes (8 of 0.5 ml and 4 of 1.5 ml). It is housed in a recessed chamber with a lid. Electronic controls ensure that the aluminium block temperature stay within $\pm 0.5^\circ$ C of the set value. The digital display indicates the block temperature and is also used for setting the desired temperature. Two solid state sensors (Platinum bits) one senses the block temperature while the other senses the ambient temperature. This enables the unit to automatically select either the cooling or the heating mode depending upon whether the set value is below or above the ambient temperature.

The operating temperature is between 10 to 25° C. The displayed temperature can easily be calibrated against a standard thermometer by simply turning a potentiometer.

The size is 310 mm x 210 mm x 160 mm (LWH) and is encased in a shock-proof, light-weight Fibre Reinforced Plastic (FRP) body. Each unit is supplied with a power cord, moulded 5 amp 3-pin plug and spare fuses.

Dry Bath

The Dry Bath is designed to uniformly heat the contents of 24 tubes from ambient to 110° C. The microprocessor controls with digital display ensures accurate temperature control and avoids contamination of samples, unlike in a water bath.

Description:

The Dry Bath has soft touch keys enabling easy setting of temperature. The unique calibration soft touch key allows on-site calibration by user. It is compact, rugged and easy to handle. It measures 13 cms x 24 cms x 10 cms (wdh) and weighs just 2 kgs - a definite advantage in today's lab environment. Each dry bath is provided with a solid anodized aluminium combi block (standard) to hold 24 tubes (1.5 ml - 8 tubes; 0.5 ml - 8 tubes and 5 ml - 8 tubes). It is housed in recessed chamber. The micro processor controls ensure aluminium block temperature to be within $\pm 0.5^\circ$ C of set value. It is designed for continuous use and there is no need to unplug. The Aluminium block can be autoclaved to avoid contamination. It is encased in a shock proof light weight aluminium powder coated body.

Power requirements: 230 V \pm 10% AC.

Applications:

1. Enzyme Assays
2. Digestions
3. Marking DNA Specimen
4. Incubating melted Agar
5. Chemical Oxygen Demand (COD) Reactor - for waste water testing

Water Bath (with 10 liters tank)

- Temperature control: Ambient to 99.9° C
- ± 0.5° C temperature accuracy
- Digital indication and setting
- P10 control with drift compensation
- Internal water circulation upto 10 lts. per minute
- Excess temperature protection
- Inner Stainless Steel and outer MS with powder coated body.

Description:

The Water Bath can be used to heat the samples through water. There is a separate circulation inside the chamber to maintain the uniform temperature across the corners.

Safety:

Genei uses PID controller to maintain very accurate temperature. Controller has got autotuning and self calibration modes. Controller can be calibrated by using natural water with the help of external thermometer. The controller can be operated without supervision. To prevent rusting, all baths are made of stainless steel.

Specifications:

Temperature range	Above ambient to 99.9° C
Controller	Digital temperature controller PID type
Accuracy	+ /- 0.5° C
Capacity	10 Lts
Circulation	Pump for uniform temperature
Construction	Inner: Stainless Steel Outer: MS with powder coated
Inner Dimension	WxDxH (280x240x150) mm
Operating Voltage	230 V ac@ 50 Hertz

New Oil Bath

Description: Genei's oil bath is manufactured by using heavy gauge SS which is suitable for all the application. Temperature is maintained by the temperature controller, which can work from above, ambient to 200° C. A Seperate temperature controller is also provided with 3mtrs. Cable. The accuracy of the temperature is + /_0.5° C.

Technical Information:

Heater capacity	1KW
Tank capacity	2Ltrs.
Temperature range	Ambient to 200° C.
Sensor	PT100
Accuracy	+ /_0.5° C.
Cable length	3Mtrs.
Safety	Higher and lower cut off
Material	Stainless Steel
Input Voltage	230V,50Hz,A.C.

New pH Meter

Description: Genei's pH meter is a uniquely designed manual/auto temperature compensated pH meter suitable for day-to-day use in the laboratory with high resolution and accuracy. Asymmetric and slope controls kept hidden are adjusted by inserting a small screw driver to avoid unintentional or accidental adjustment after setting with standard buffer solutions. The instrument is supplied with best quality combined electrode and temperature probe.(PT100).

Technical Information:

pH range	0-14 or continuous
MV range	0-1999 with auto polarity
Accuracy	pH 0.01pH + /_ 1 Digit. MV1 mV + /_ 1digit
Input Impedance	More than 10/12 Ohms
Buffer Calibration	pH 7.0, pH 4.0 and pH 9.2
Display	3 ½ Digit display with seven segment green 0.5" LED.
Temp. Compensation	0-100Deg. C. Manual/ Auto
Power requirement	0-230V,A.C. 50Hz.

Magnetic Stand

Description: Magnetic stand is a device useful in purifying bio-molecules from diverse liquid sample matrices through magnetic separation.

Magnetic particles bound to the molecules of interest through specific ligands will be attracted towards the magnet adjacent to the tube. This enables easy removal of supernatant.

Technical Specification:

Tube Capacity : 6 tubes of 1.5 ml
 Weight : 150 g (approx)

GeNei™ Bench Top Cooler

Cooler is a thermal container ideal for low temperature storage. It is ideal for storage of restriction enzymes, nucleic acids and other biochemical or biological samples, requiring sub freezing temperatures. It replaces the conventional ice box.

- It helps to maintain temperature stability for samples stored in the freezer during vial handling or power failure.
- It maintains subzero temperatures up to 3 hours, when used on the bench top at normal room temperature. It eliminates numerous trips back and forth to the laboratory freezer
- It may also be used to freeze mammalian and insect cells prior to low temperature storage.
- Two sizes, 12 or 24 tube storage modules are available for 1.5 ml or 0.5 ml standard size conical tubes.

Ordering Information:

Catalogue Number	Product	Pack Size	Price (Rs.)
GENERAL LAB EQUIPMENTS			
107109	Ligation bath with fix Aluminium Combi block	1 No.	65000
107170	Dry bath with standard heating block	1 Set	18200
107173	Heating block (Extra) 1.5 ml	1 No.	3650
107174	Heating block (Extra) 0.5 ml	1 No.	3650
107175	Heating block (Extra) 0.2 ml	1 No.	3650
107931	Water bath with 10 liters water tank	1 No.	40250
117797	Oil Bath	1 No.	20000
117800	pH meter	1 No.	18000
116741	Magnetic Stand	1 No.	18750
107100	GeNei™ Bench Top cooler (24 x 1.5 ml tube)	1 Unit	3750
107101	GeNei™ Bench Top cooler (12 x 1.5 ml tube)	1 Unit	2850
107102	GeNei™ Bench Top cooler (24 x 0.5 ml tube)	1 Unit	3750
107103	GeNei™ Bench Top cooler (12 x 0.5 ml tube)	1 Unit	2850
106878	Bench top waste containers III (12"x12"x28")	1 Unit	20600

Pipettes & Pipette Stand

Digital Variable Volume Pipette (Autoclavable)

- These imported pipettes are convenient, easy to use, having locking mechanism that ensures the selected volume, remains securely fixed and does not change during operation.
- The preset volume is confirmed by the convenient digital volume indicator.
- The entire pipette can be autoclaved (20 minutes at 121° C) for decontamination and sterilization.

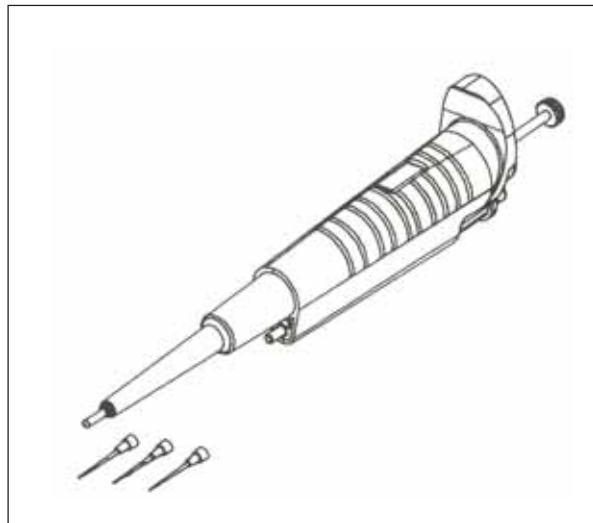
Digital Variable Volume Pipette - Popular Model

These micropipettes are designed for use in Educational, Research, Diagnostics and Clinical pathology Labs. **The tip cone** of these micropipettes is fully autoclavable which keeps it sterile for each use.

Pipette Stands

- Pipette stand can hold 5 standard size pipettes.
- Multi channel pipette stand can hold 3 multi channel pipettes.

Pipette & Pipette Tips



Ordering Information:

Catalogue Number	Product	Pack Size	Price (Rs.)
DIGITAL VARIABLE VOLUME PIPETTE (AUTOCLAVABLE)			
106912	Micropipette 0.5-10 µl (increment 0.1 µl)	1 No.	11000
106915	Micropipette 2-20 µl (increment 0.1 µl)	1 No.	11000
106913	Micropipette 10-100 µl (increment 0.1 µl)	1 No.	11000
106930	Micropipette 20-200 µl (increment 1.0 µl)	1 No.	11000
106914	Micropipette 100-1000 µl (increment 5.0 µl)	1 No.	11000
116737	Micropipette, 0.2 - 2 µl (increment 0.1 µl)	1 No.	5250
116735	Micropipette, 0.5 - 10 µl (increment 0.1 µl)	1 No.	5250
116734	Micropipette, 2 - 20 µl (increment 0.1 µl)	1 No.	5250
116733	Micropipette, 20 - 200 µl (increment 1 µl)	1 No.	5250
116732	Micropipette, 100 - 1000 µl (increment 10 µl)	1 No.	5250
116730	8-Channel Pipette, 5 - 50 µl	1 No.	19250
116727	8-Channel Pipette, 40 - 300 µl	1 No.	19250
116726	12-Channel Pipette, 5 - 50 µl	1 No.	25150
116724	12-Channel Pipette, 40 - 300 µl	1 No.	25150
VARIABLE VOLUME MICROLITRE PIPETTE - POPULAR MODEL			
106903	Variable Micropipette 0.5 - 10 µl (increment 0.1 µl)	1 No.	4050
106904	Variable Micropipette 20-100 µl (increment 1 µl)	1 No.	4050
106906	Variable Micropipette 40-200 µl (increment 1 µl)	1 No.	4050
106905	Variable Micropipette 200-1000 µl (increment 10 µl)	1 No.	4050
PIPETTE STAND			
107141	Pipette stand (for 5 pipettes)	1 No.	1200
107142	Multichannel pipette stand (3 Pipettes)	1 No.	1700

Plasticware

PCR Tubes & PCR Rack

- PCR tubes are specifically designed for use in thermal transfer applications.
- Tube walls are ultra-thin and consistent so thermal transfer is precise and even along the surface of the tube.
- PCR tubes are made from highly polished moulds and are free of lubricant, dye, and heavy metals or fillers. The difference is clearly amazing.
- PCR tubes are certified to be DNase and RNase free.
- The unique cap design guarantees a perfect fit which ensures no sample evaporation during thermal cycling.

Universal Fit Tips & Racked Tips

The universal tips are engineered for a wide variety of pipettes and are ideal for laboratories with multiple brands of pipettes - even multi-channel pipettes. That's because the universal tips feature the "uni-grip" design using flexible materials with a series of bands and supports. These tips are autoclavable with their racks.

Microcentrifuge Tubes

- Snaplock microtubes are engineered to close with a "snap" and stay closed during centrifugation upto 20,000 x g.
- Tubes are clear with frosted caps for labelling, with frosted writing surfaces on the side. Tubes are autoclavable.

Micro Tube Racks

- Suitable for storing 80 nos.
- Also available Micro Tube Racks with lid for 96 tubes.

Ordering Information:

Catalogue Number	Product	Pack Size	Price (Rs.)
PCR TUBES			
106931	0.2 ml Thin Wall PCR Tubes (Domed)	1000 tubes	3650
106932	0.5 ml Thin Wall PCR Tubes (Flat Cap)	1000 tubes	3300
PCR RACKS			
106933	Storage rack for PCR-0.2 ml (96 wells)	1 No.	600
UNIVERSAL FIT AUTOCLAVABLE TIPS			
106938	Yellow tips, (1-200 µl)	1000/pack	850
106937	Clear tips, (1-200 µl)	1000/pack	850
106935	Blue tips, (200-1000 µl)	1000/pack	1000
106978	Ultra micro gel loading tips, (200 µl)	1000/pack	4050
106970	Clear tips siliconized (Fits pipette P2-P10, volume 0.5-10 µl)	1000/pack	1600
106972	Clear micro tips (Fits eppendorf ultra micro pipette, volume 0.5-10 µl)	1000/pack	2300
106975	Universal fit aerosol filter barrier tips, volume 20 µl	1000/pack	3450
106976	Universal fit aerosol filter barrier tips, volume 200 µl	1000/pack	3450
106977	Filter barrier aerosol tips for ultra micro (0.5-10 µl)	1000/pack	3450
106974	Universal fit aerosol filter tips (1000 µl)	1000/pack	3450
AUTOCLAVABLE RACKED TIPS			
106939	Racked tips: yellow tips (volume 200 µl)	1 each	270
106936	Racked tips: blue tips (volume 1000 µl)	1 each	270
106979	Racked tips: gel loading tips (volume 200 µl)	1 each	500
106971	Racked tips: mini micro P2-P10 tips (volume 0.5-10 µl)	1 each	500
106973	Racked tips: clear micro tips (volume 0.5-10 µl)	1 each	500
MICROCENTRIFUGE TUBES			
106907	Microcentrifuge tubes (0.5 ml)	1000 tubes	1400
106908	Microcentrifuge tubes (1.5 ml)	1000 tubes	1550
106909	Microcentrifuge tubes (2.0 ml)	1000 tubes	2000
MICRO TUBE RACKS			
106910	Micro centrifuge tube rack for 80 tubes	1 No.	550
106911	Micro centrifuge tube rack with lid for 96 tubes	1 No.	1100
GLOVES			
106934	Superior nitrile gloves	50 pair	1600

TECHWARE EQUIPMENT

Others

Bench Top Shields

These Shields are manufactured from 12 mm thick acrylic sheets to give protection from Alpha and Beta radiations.

Bench Top Containers

These acrylic containers have an attached 12 mm thick Beta shield. They can be used as "Personal Carrier" which permits mobility & protection without having to use a designated radio active workstation. The researcher can transport samples from bench to water bath to freezer knowing the radio active samples are safely shielded from co-workers.

Radiation Container (Cat# 107143):
Radiation container with lid can hold 80-place microfuge tube rack (cat # BMCT-R-80). Rack holds upto 80 1.5 ml or 2.0 ml microfuge tubes.

Personal carrier shield (Cat# 107144):
This personal carrier shield can hold microcentrifuge 96 tube rack with lid for (1.5 ml or 2.0 ml).

Bench Top Containers for Radio active Pipette Tips

Pipette tip disposal containers are manufactured from 12 mm thick acrylic sheets.

Glass Plate Stand

Description: Glass Plate Stands are used to hold Glass Plates used in Vertical Electrophoresis Systems of different sizes.

1. Glass Plate Stand (for Cat # 106680 & 106724 Vertical Electrophoresis System)
2. Glass Plate Stand (for Cat # 106725 & 106782 Vertical Electrophoresis System)
3. Glass Plate Stand (for Cat # 106783 & 106784 Vertical Electrophoresis System)

Glass Columns for Chromatography

Ordering Information:

Cat #	Product	Pack Size	Price (Rs.)
106990	Glass column for gel filtration (1.1 cm x 50 cm)	1 No.	850
106993	Glass column for ion exchange (3.0 cm x 12 cm)	1 No.	1600
106992	Glass column for ion exchange (2.0 cm x 8 cm)	1 No.	1200
106991	Glass column for affinity (1.7 cm x 8 cm)	1 No.	650

Acrylic Gradient Makers

Ordering Information:

Cat#	Product	Pack Size	Price (Rs.)
106760	Gradient maker (25 ml + 25 ml)	1 Unit	1550
106871	Gradient maker (50 ml+ 50 ml)	1 Unit	2150
106872	Gradient maker (125 ml+ 125 ml)	1 Unit	2800
106873	Gradient maker (250 ml+ 250 ml)	1 Unit	3000
106874	Gradient maker (500 ml+ 500 ml)	1 Unit	3800
106875	Gradient maker (1000 ml+ 1000 ml)	1 Unit	6100

Ordering Information:

Catalogue Number	Product	Pack Size	Price (Rs.)
BENCH TOP SHIELDS			
106880	Bench top shields I (12"x12"x18")	1 Unit	5550
106881	Bench top shields II (12"x17"x20")	1 Unit	5900
106882	Bench top shields III (18"x12"x24")	1 Unit	6400
BENCH TOP CONTAINERS			
107143	Radiation Container with lid for 80 - Place Microfuge Tube Rack	1 Unit	4000
107144	Personal Carrier Shield for Micro centrifuge tube rack for 96 tubes	1 Unit	6350
BENCH TOP WASTE CONTAINERS FOR RADIO ACTIVE PIPETTE TIPS			
106876	Bench top waste containers I (8.75"x2.60"x3.50")	1 Unit	3450
106877	Bench top waste containers II (10"x6.50"x4")	1 Unit	4250
106878	Bench top waste containers III (12"x12"x28")	1 Unit	20600
GLASS PLATE STAND			
116666	Glass Plate Stand (for 106680 & 106724 Vertical Electrophoresis System)	1 No.	1900
116665	Glass Plate Stand (for 106725 & 106782 Vertical Electrophoresis System)	1 No.	1900
116662	Glass Plate Stand (for 106783 & 106784 Vertical Electrophoresis System)	1 No.	1900

TECHWARE EQUIPMENT